

Drilling jigs



- ▶ DrillJig VB
- ▶ For connecting fittings



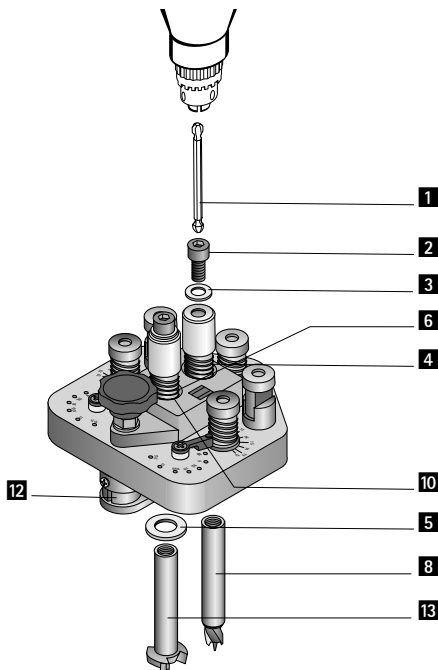
- ▶ For precision installation of connecting fittings on one-off or customised pieces
- ▶ Precision, clean, angled hole drilling
- ▶ Tungsten carbide tipped drill bits
- ▶ No "running-away" of the drill bit when drilling half-moon holes
- ▶ System 32: ø 5 mm holes, 32 mm spacing, at a distance of 37 mm from front edge
- ▶ For retrofitting structural panels
- ▶ Hand drill or cordless screwdriver required
- ▶ For wood in thicknesses of 16 and 19 mm
- ▶ For mounting the following fittings:
 - Eccentric connecting fittings VB 18 / 19 / 20 / 21 / 35 / 35M / 36 / 36M
 - Connecting fitting VB 135
 - Shelf connecting fitting VB 54 - 16 / 19 / 23 E Toolex

Set comprises:

- ▶ 1 drilling template for VB connecting fittings
- ▶ 1 drilling template for dowels
- ▶ 1 drill bit, ø 10 mm, chucked
- ▶ 1 drill bit, ø 20 mm, chucked, for VB 35 / 35M / 36 / 36M and VB 135 or 1 drill bit ø 30 mm chucked, for VB 18 / 19 / 20 / 21
- ▶ 1 hexagonal driver

Article name	Order no.	PU
DrillJig VB drilling jig, drill bit, ø 20 mm	0 020 166	1 set
DrillJig VB drilling jig, drill bit, ø 30 mm	9 131 494	1 set

Accessories



List item + article name	Order no.	PU
Drilling template for dowels	0 020 131	1 ea.
1 Hexagonal driver	0 020 695	1 ea.
2 Allen screw, M8 x 16 DIN 912	0 020 689	1 ea.
3 Washer, 8.4 DIN 125, for DrillJig Hinge and DrillJig VB	9 131 491	1 ea.
4 Spring for DrillJig Hinge and DrillJig VB	9 131 488	1 ea.
5 Washer, 12 x 18 x 0.5 DIN 988, for DrillJig Hinge and DrillJig VB	9 131 492	1 ea.
6 Sleeve for DrillJig Hinge and DrillJig VB	9 131 487	1 ea.
8 Drill bit, ø 10 mm	0 020 687	1 ea.
10 Washer, 12 x 18 x 1.2 DIN 988 for DrillJig VB	9 131 493	1 ea.
12 Locking plate for DrillJig Hinge / VB	9 131 489	1 ea.
13 Drill bit, ø 18 mm, for VB 54 Toolex shelf connecting fitting	0 020 168	1 ea.
13 Drill bit, ø 20 mm, for VB 35 / 35M, VB 36 / 36M, VB 135	0 020 686	1 ea.
13 Drill bit, ø 30 mm, for VB 18, VB 19, VB 20, VB 21	0 020 167	1 ea.