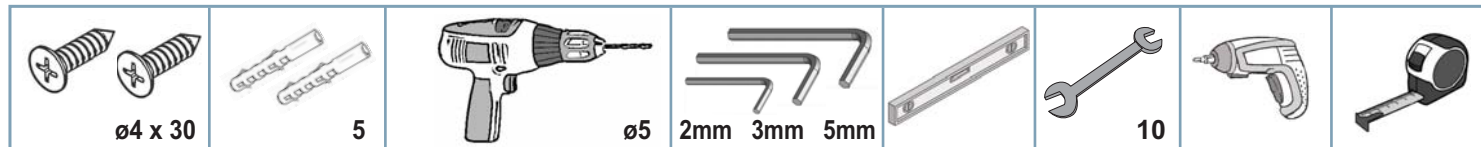
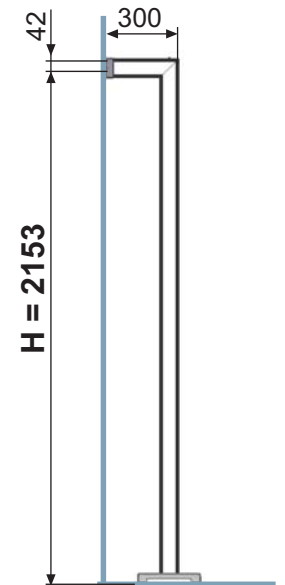
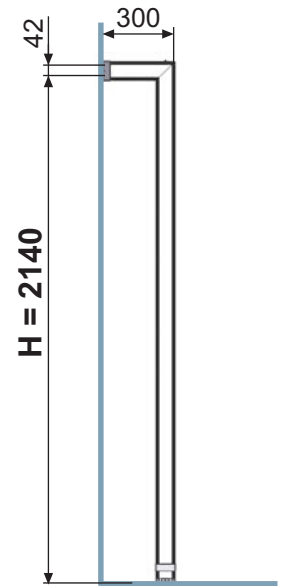
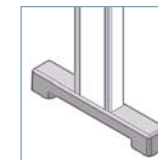
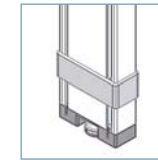
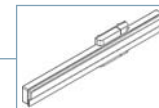
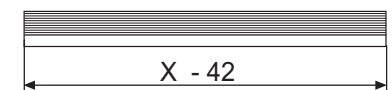
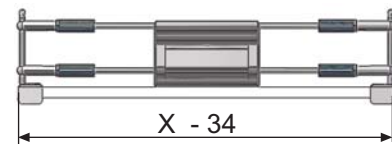
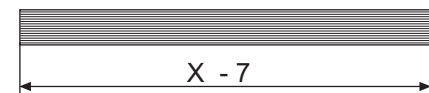
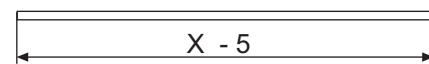
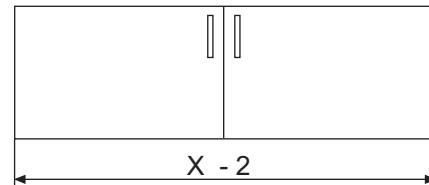
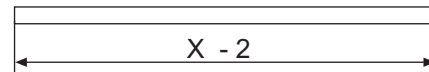
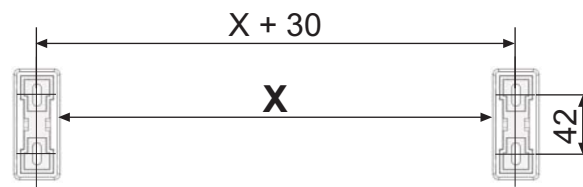
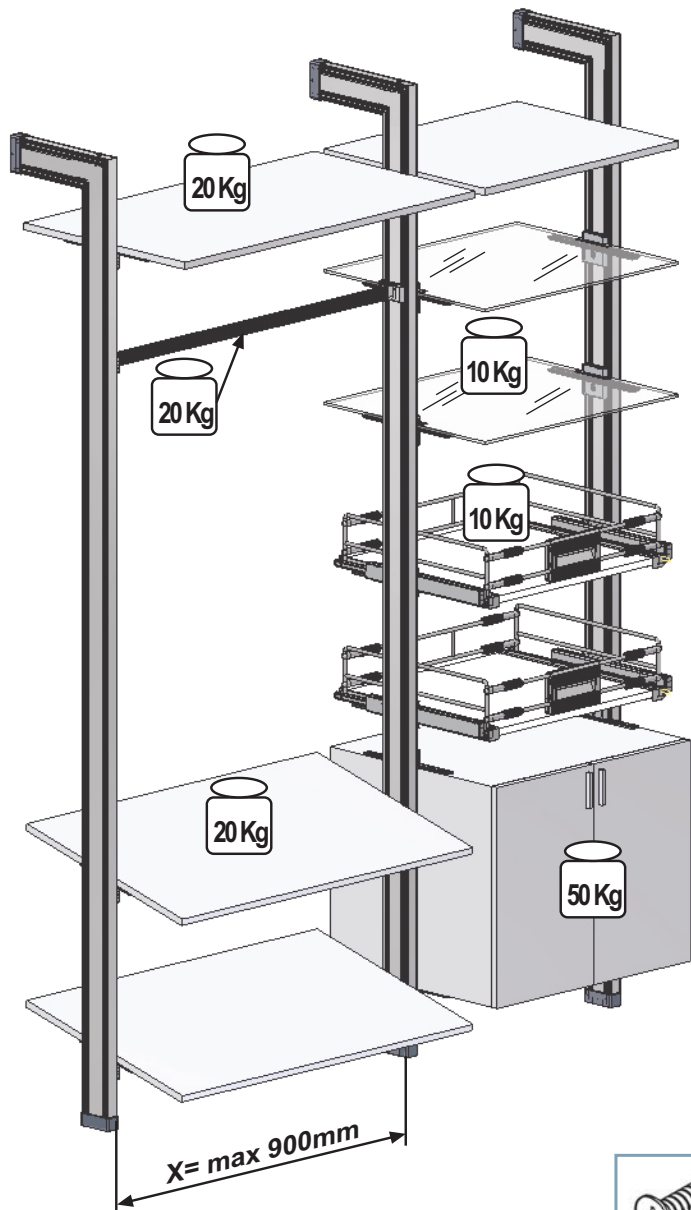
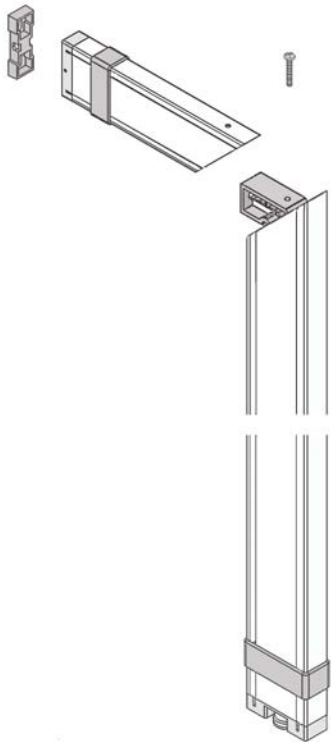
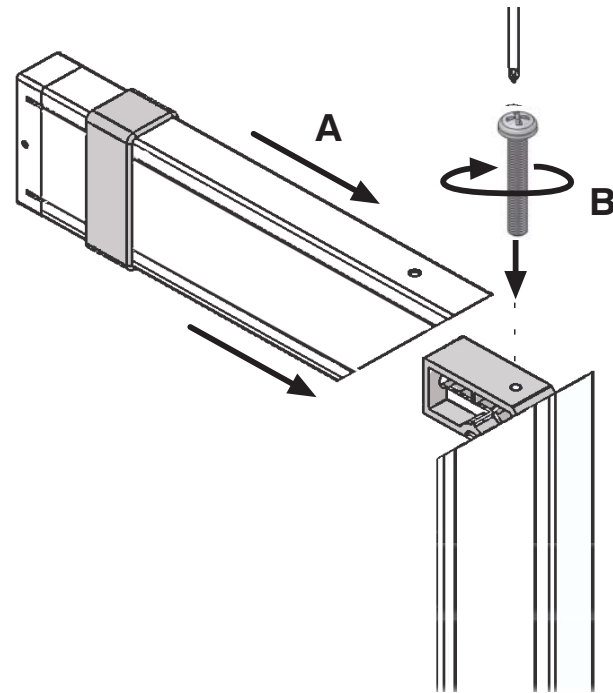


WALL FIXING SET 300 WANDANBINDUNG'S SET 300

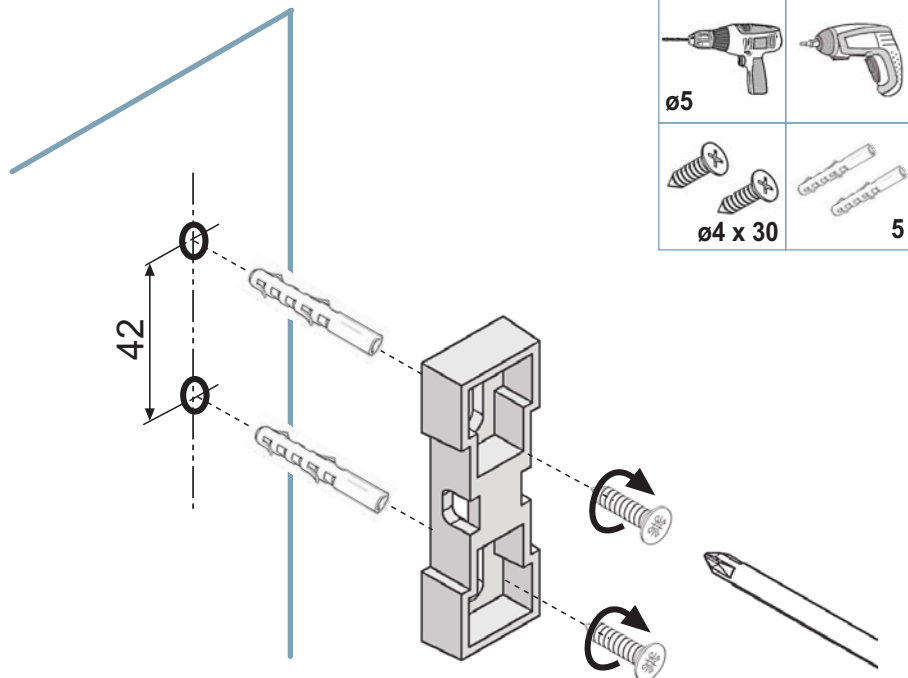




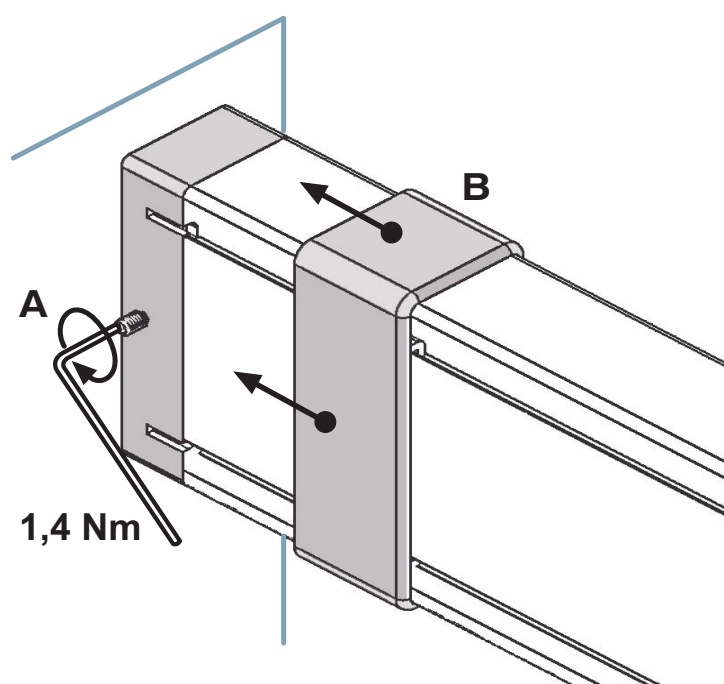
1



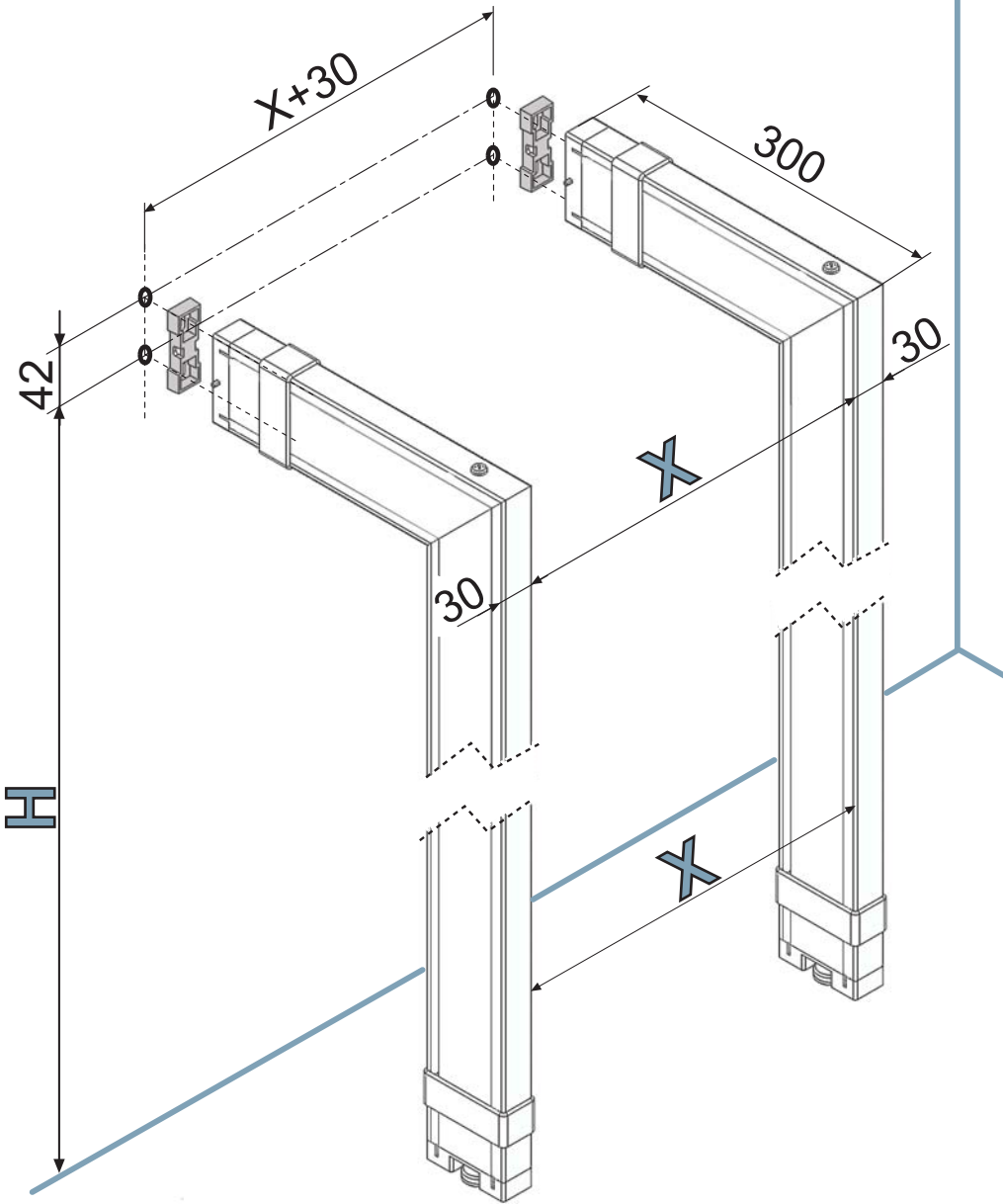
2



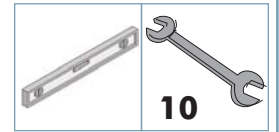
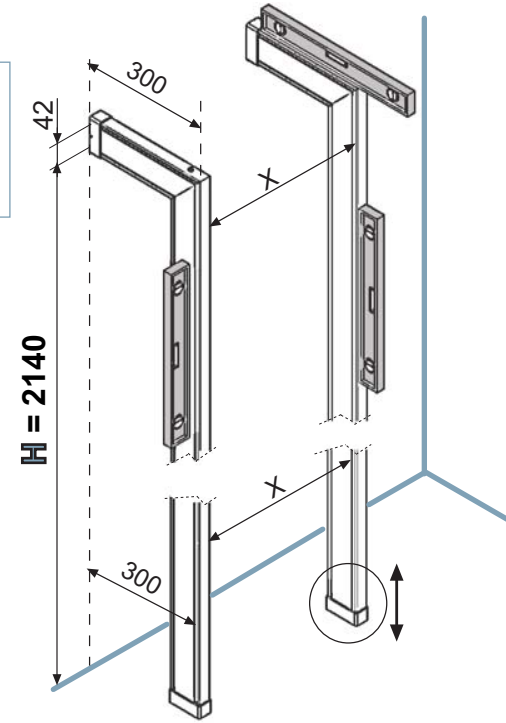
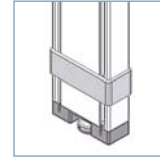
3



4

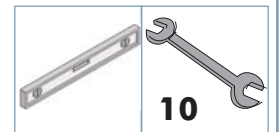
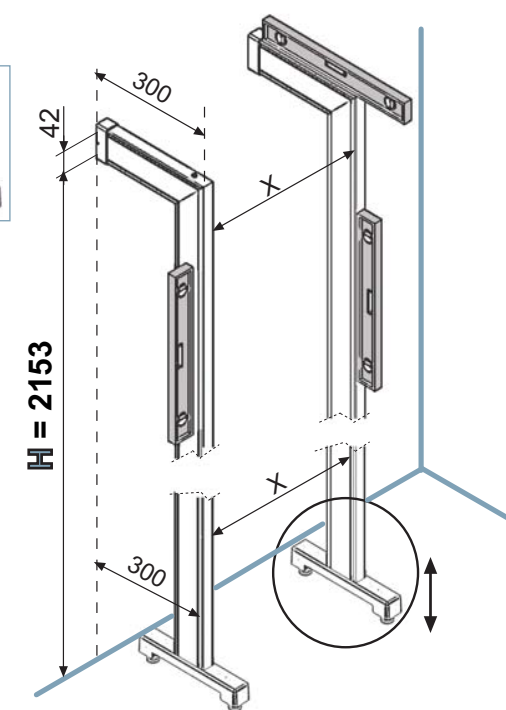
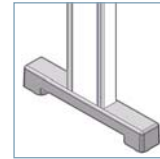


5a

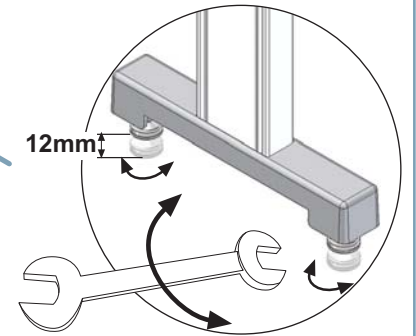
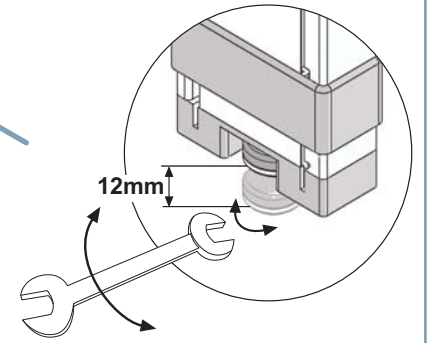


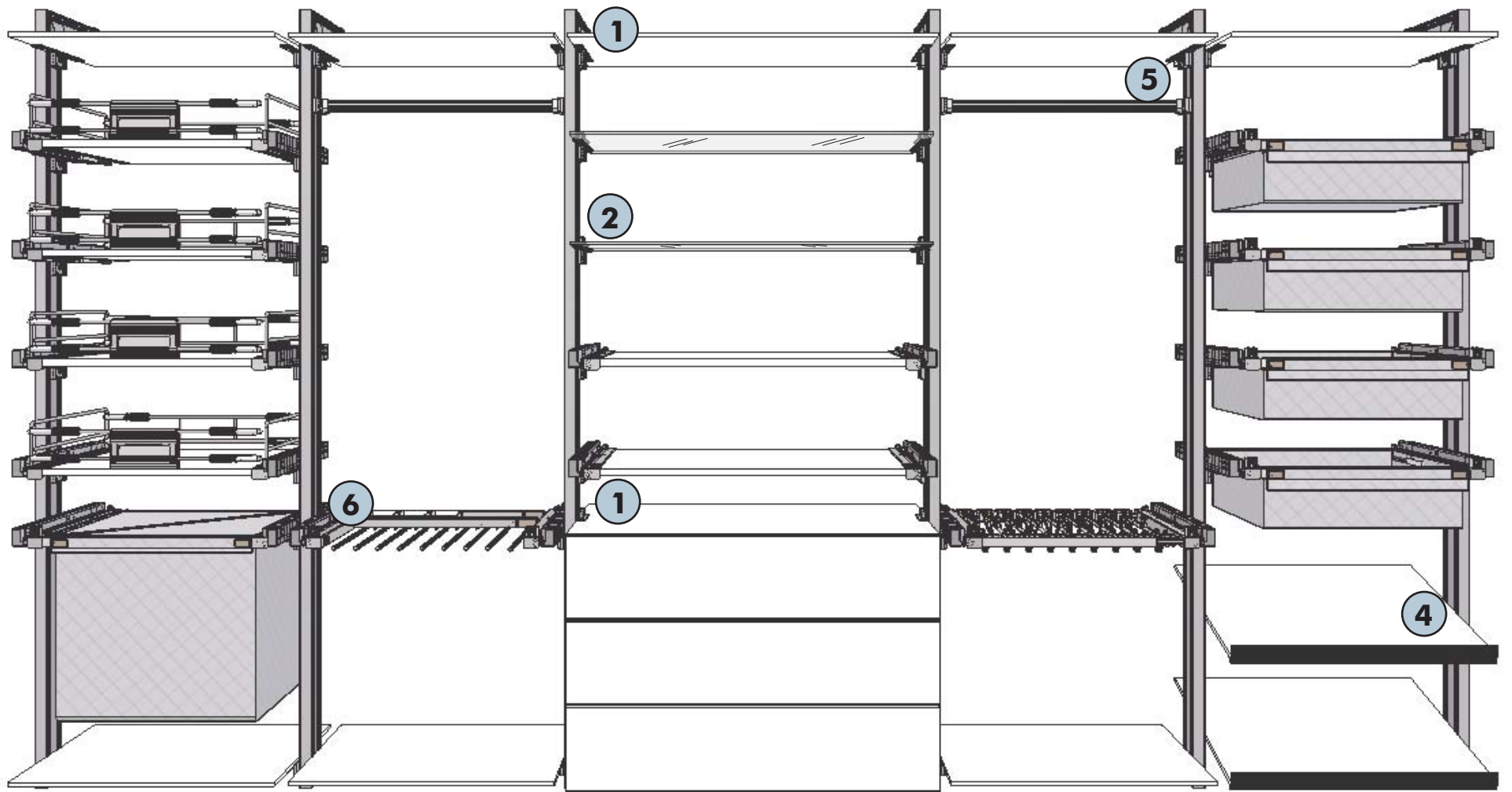
10

5b



10





1



2



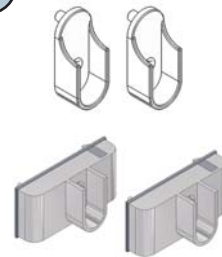
3



4



5

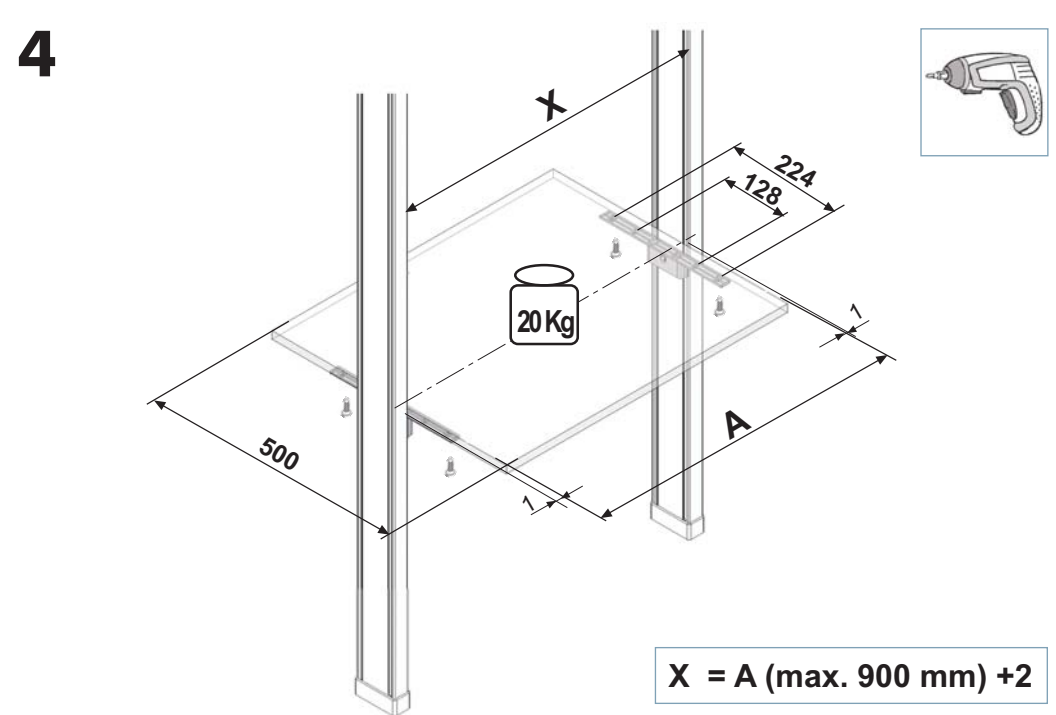
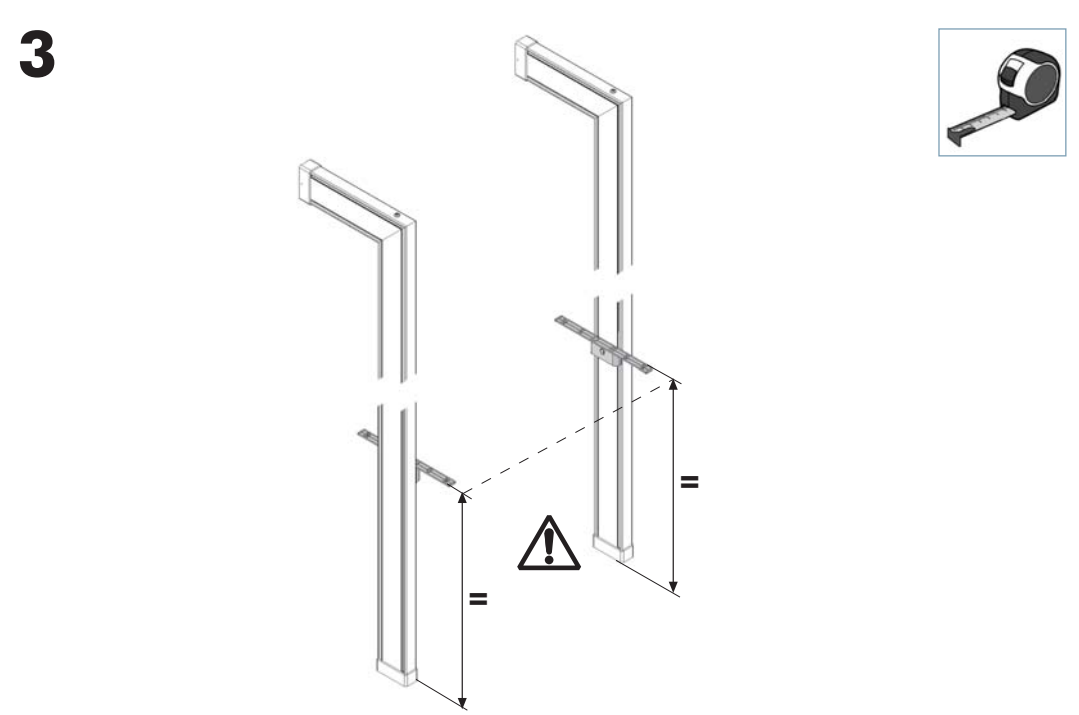
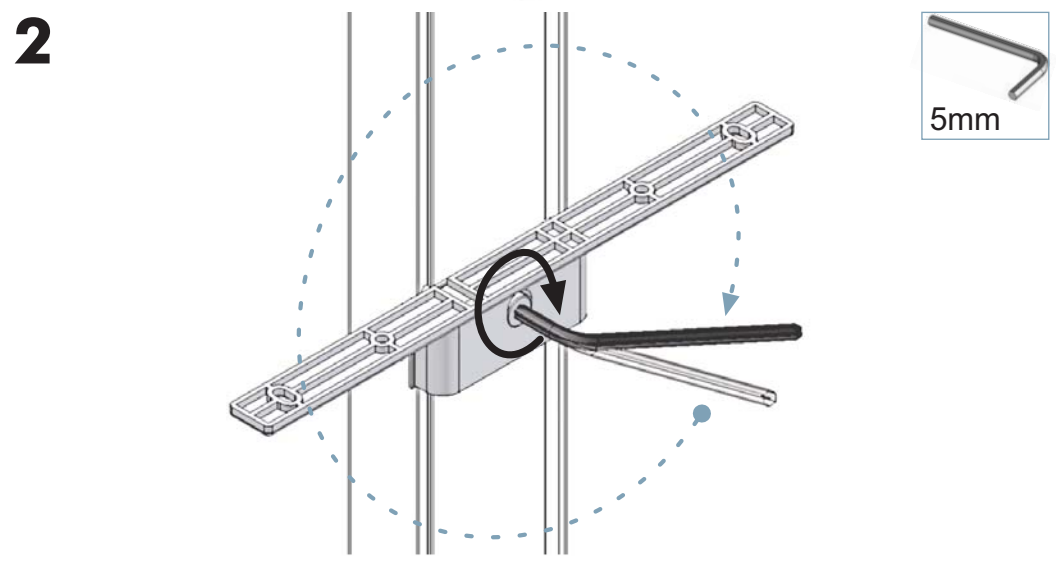
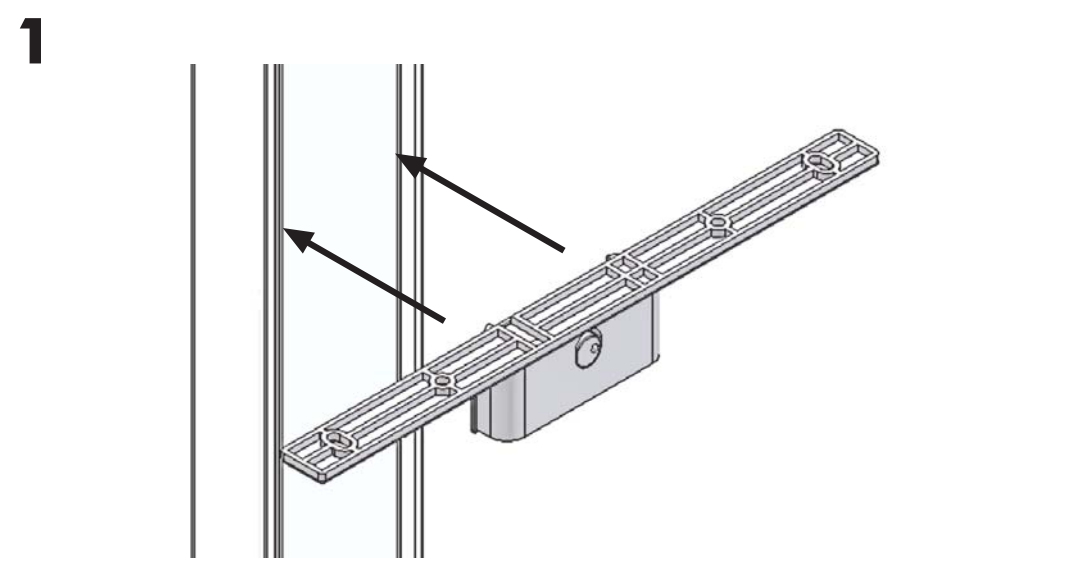
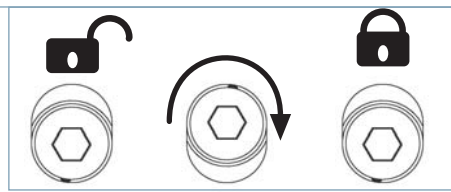
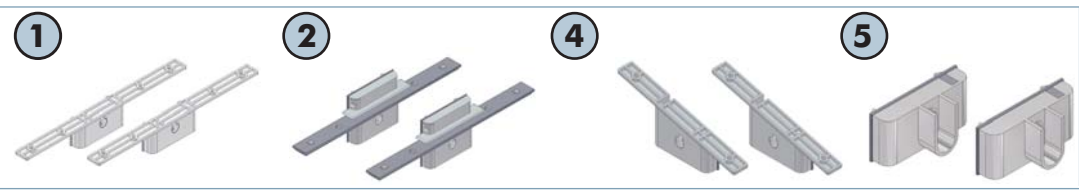


6

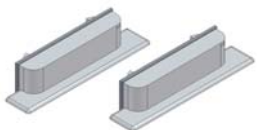


7

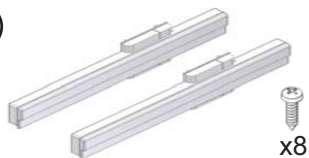




3

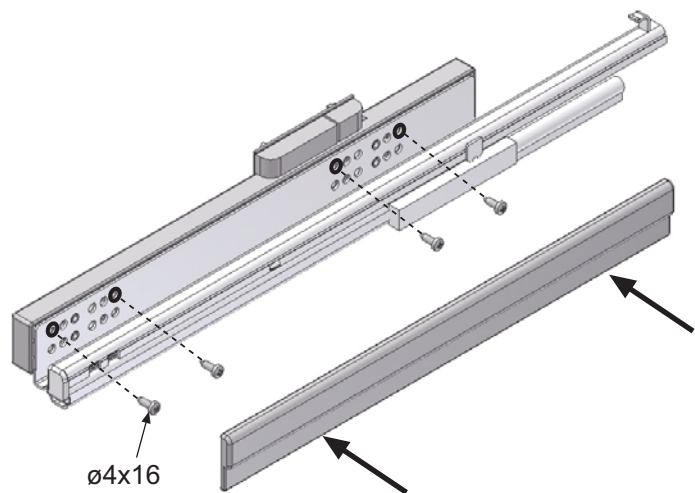


6



x8

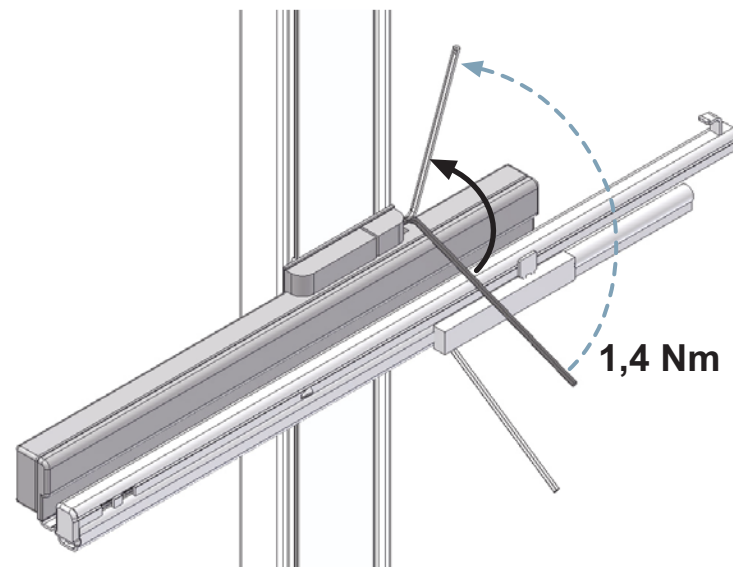
1



ø4x16



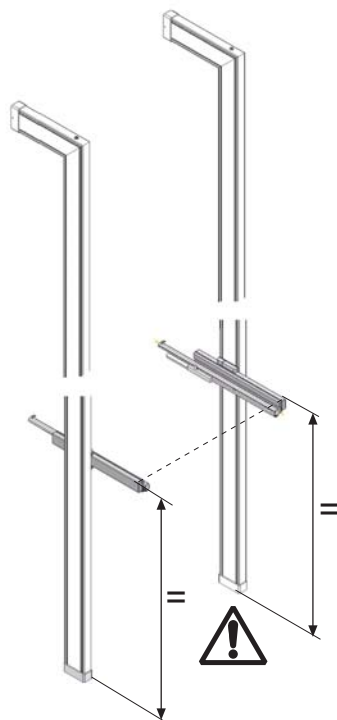
2



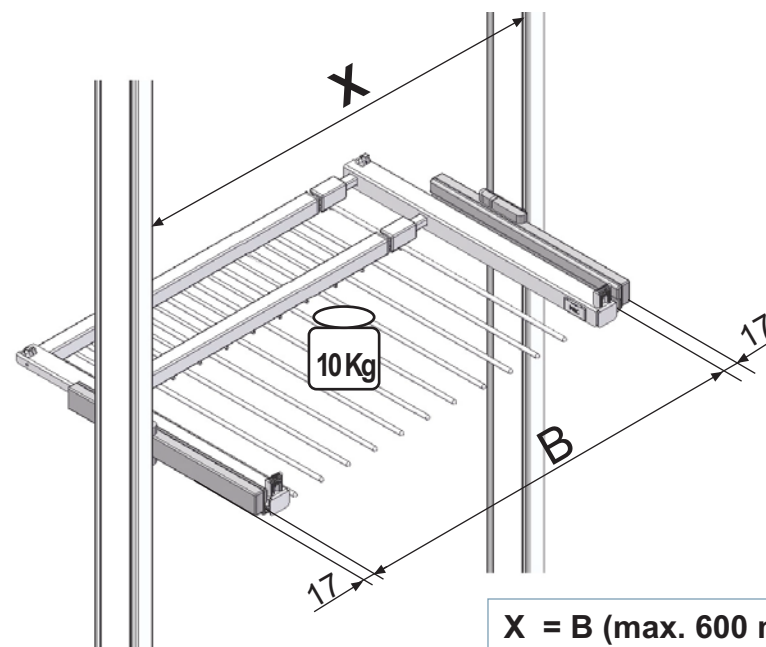
3mm

1,4 Nm

3

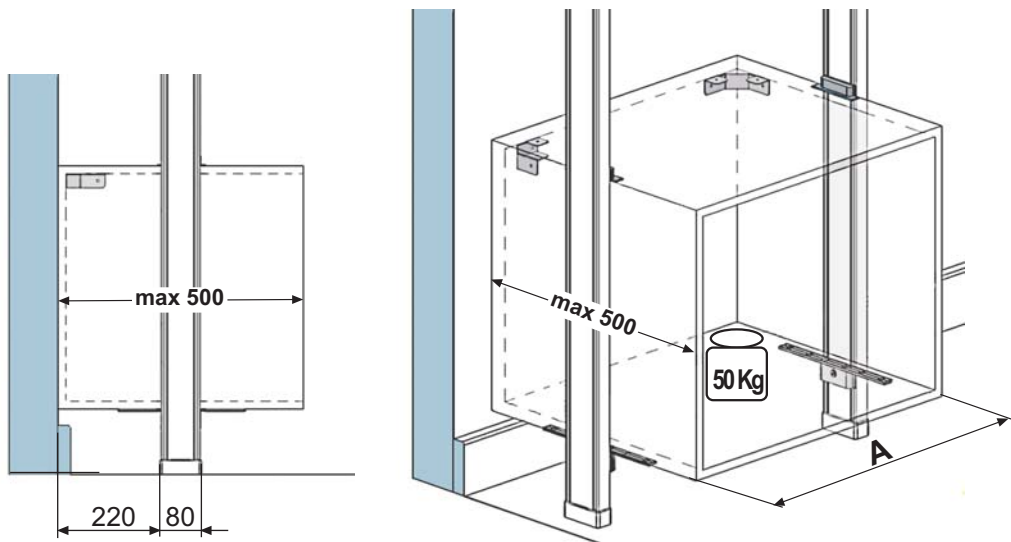
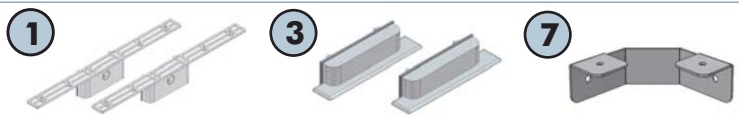


4

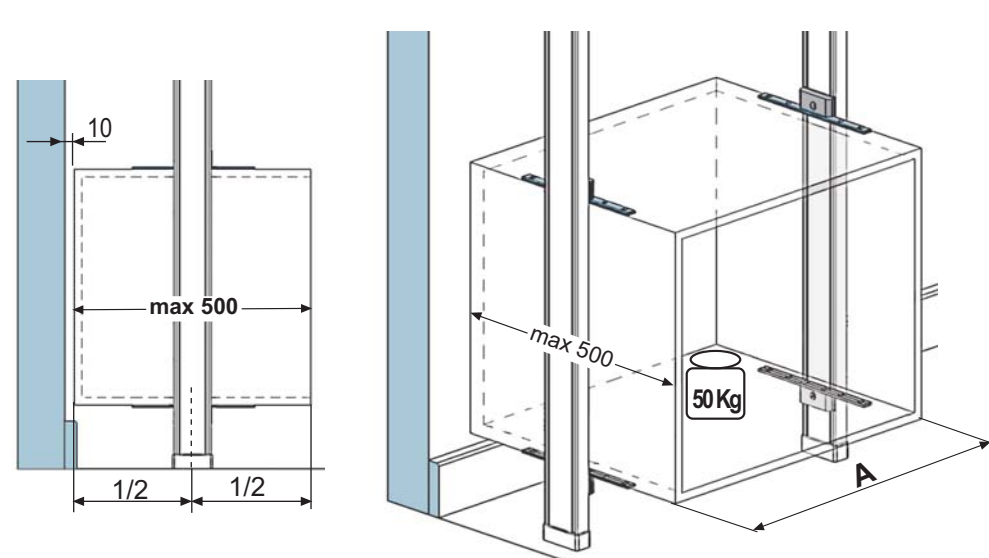


10Kg

$X = B \text{ (max. 600 mm) } + 34$



$X = A (\text{max. } 600 \text{ mm}) + 2$



$X = A (\text{max. } 600 \text{ mm}) + 2$

