

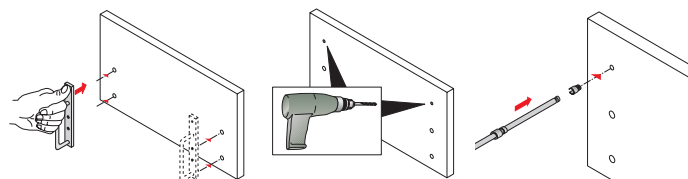
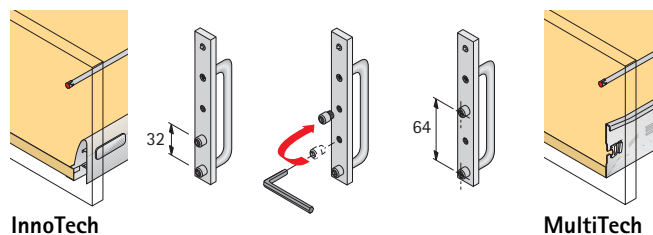
Drilling jigs and assembly aids BlueJig FB for drawer-front connectors



Drilling template BlueJig

- For InnoTech/MultiTech railing
- Aluminium/steel

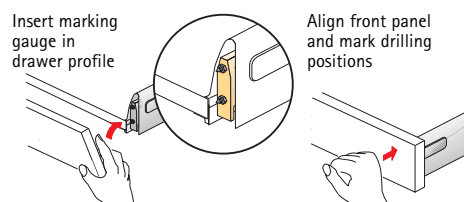
Order no.	PU
0 048 437	1 set



Drilling template BlueJig IT

- For InnoTech front panels
- Plastic/steel

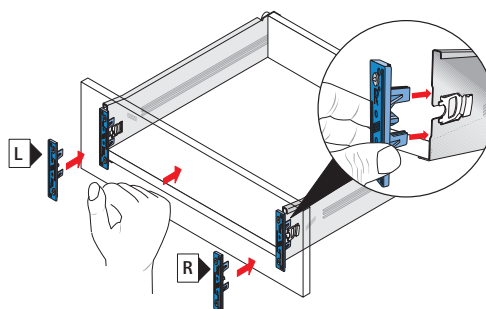
Order no.	PU
0 078 097	1 set



Drilling template BlueJig MT

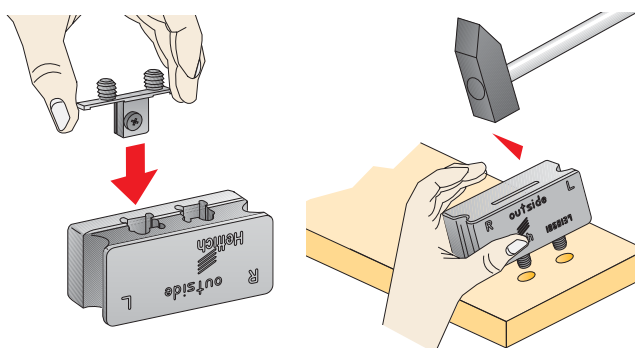
- For MultiTech front panels
- Plastic/steel

Order no.	PU
0 051 425	1 set



Mounting tool

- For knock-in assembly of front connectors



Article	Order no.	PU
For front connector MultiTech 54	0 079 564	1
Suitable for all front connectors MultiTech 86/118/150/214	0 040 133	1