

Drawer runners for wooden drawers

- ▶ KA 5632 full extension runner for side installation
- ▶ Load capacity 45 kg

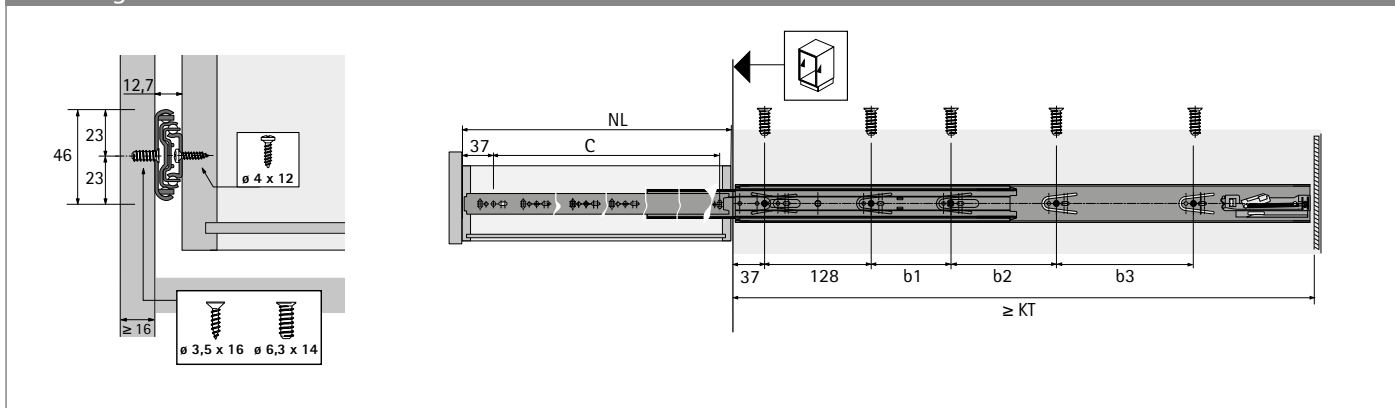


- ▶ Precision full extension runner with pull-out stop and roll-out prevention
- ▶ A release lever makes the drawer easy to remove and reinstall
- ▶ Precision control for moving smoothly and freely and high lateral stability
- ▶ For drawers with grooved, rebated or loosely fitted drawer bottom panel
- ▶ Load capacity to EN 15338, Level 1
- ▶ Galvanised steel, blue passivated

KA 5632 ball bearing runner, 12.7 mm installed width

Nominal length / drawer length NL mm	Minimum carcass depth KT mm	Hole spacing b1 mm	Hole spacing b2 mm	Hole spacing b3 mm	Hole spacing b4 mm	Hole spacing b5 mm	Hole spacing C mm	Order no.	PU
250	254 mm						192	0 073 276	1 pair
300	304 mm	96					242	0 073 277	1 pair
350	354 mm	96					292	0 073 278	1 pair
400	404 mm	96	96				342	0 073 279	1 pair
450	454 mm	96	128				392	0 073 280	1 pair
500	504 mm	96	128	64			442	0 073 281	1 pair
550	554 mm	96	128	64	32	32	492	0 073 282	1 pair
600	604 mm	96	128	96	32	32	542	0 073 283	1 pair
650	654 mm	96	128	160	32	32	592	0 073 284	1 pair
700	704 mm	96	128	192	32	32	642	0 041 355	1 pair

Planning dimensions



Advice

- ▶ For technical information, see page 1610 - 1612
- ▶ For accessories, see page 1636 - 1641