

# Optional Silent System

- ▶ For concealed hinges
- ▶ For Intermat

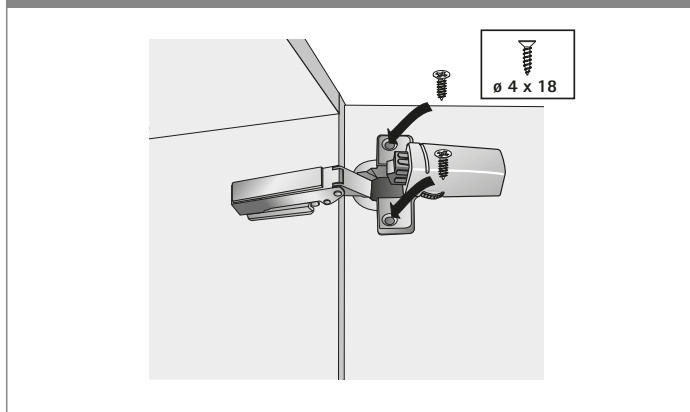
## Silent System for hinge cup



- ▶ For screwing onto the hinge cup
- ▶ Cushioning effect infinitely adjustable at setting wheel
- ▶ Use two Silent System elements for front panel weights over 13.5 kg
- ▶ Upgradeable
- ▶ Zinc die-cast nickel plated

For hinge	Order no.	PU
Intermat 9943 / 9944	<b>0 060 581</b>	1/50 ea.
Intermat 9936	<b>9 146 514</b>	1/50 ea.

## Installation



## Application

Hinge	Door mounting option	Hinge cup
Intermat 9943	full overlay	TH 42 / TH 43
Intermat 9944	full overlay	TH 42 / TH 43
Intermat 9936	full overlay, half overlay, inset	TH 42 / TH 43