

Special hinge

- ▶ Glass door hinge ET 150
- ▶ For inset doors

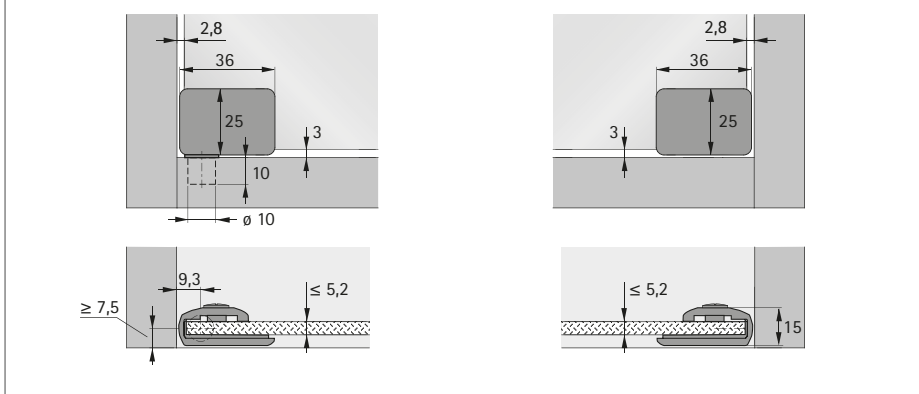


- ▶ Glass door hinge without stay close function for inset doors
- ▶ Opening angle 105°
- ▶ Easy to install via clamping screw, no drillings necessary in the glass
- ▶ Including premounted anti-slip element
- ▶ Door format:
 - Height = inside carcass height - 6 mm
 - Width = inside carcass width - 5.6 mm
- ▶ Zinc die-cast, matt nickel plated

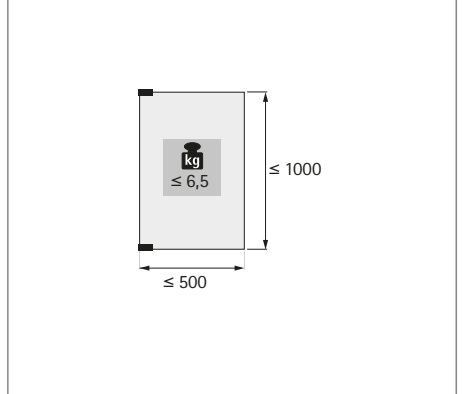
Glass door hinge ET 150

Article	Order no.	PU
Glass door hinge ET 150	0 020 870	1/20 pair
Push handle, left	0 020 871	1/20 ea.
Push handle, right	0 020 872	1/20 ea.

ET 150 / push handle



Note



Magnetic catch D7 / GP9



- ▶ Holding force 0.7 - 1.1 kg
- ▶ Stroke 11 mm
- ▶ Width 40 mm
- ▶ Height 16 mm
- ▶ Depth 36 mm
- ▶ Hole spacing 32 mm
- ▶ Plastic, black
- ▶ Rigid counterplate, steel, galvanised

Order no.	PU
0 020 873	1/20 ea.