

Special hinge

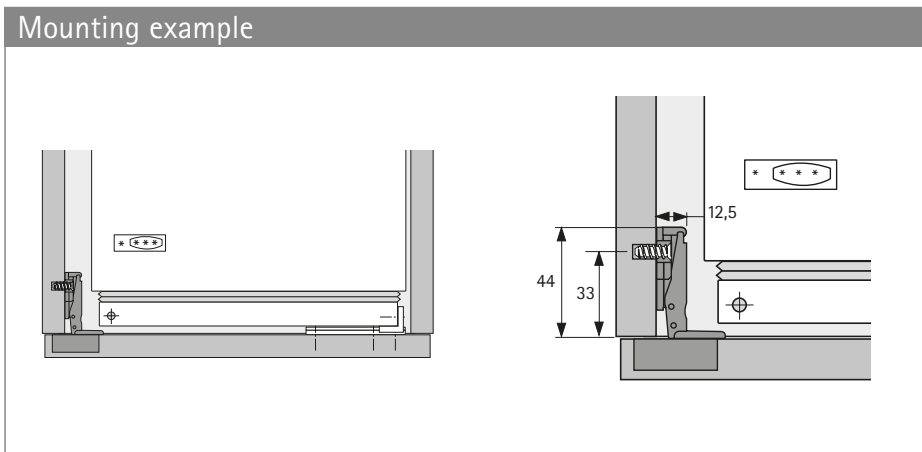
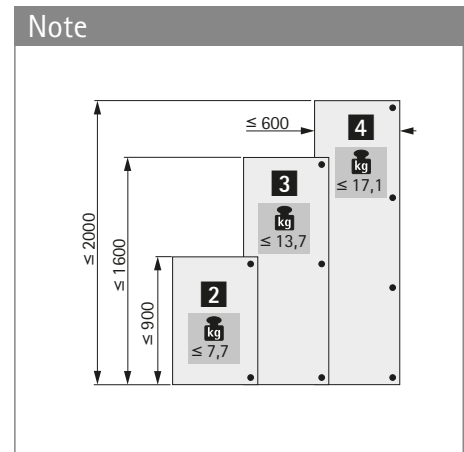
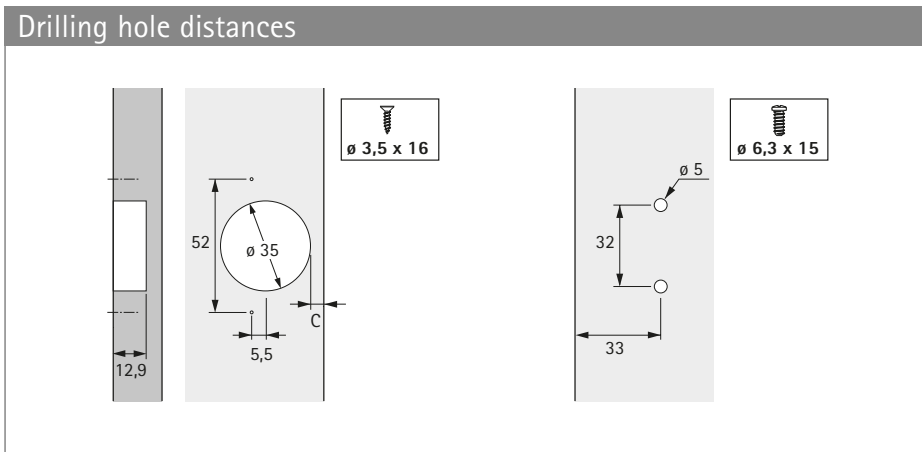
- ▶ ET 582
- ▶ For refrigerator surrounds, opening angle 95°



- ▶ Special hinge with short hinge protrusion for refrigerator surrounds
- ▶ Cup diameter 35 mm
- ▶ Cup depth 12.8 mm
- ▶ With stay close function
- ▶ Including mounting plate and distance plate (distance = 3 mm) for overlays of 13 - 18 mm
- ▶ Integrated + 1 mm / - 1 mm overlay adjustment
- ▶ Integrated depth adjustment + 3 mm / - 3 mm
- ▶ Hinge arm material: steel, nickel plated
- ▶ Cup hinge material: zinc die-cast nickel plated
- ▶ Distance plate material: white plastic

Special hinge ET 582

Order no.	PU
0 072 134	1/10 ea.



Note

A door-on-door slider fitting can be used for connecting the furniture door to the refrigerator door.

Mounting plate with plastic distance plate = 3 mm distance		Mounting plate without plastic distance plate = 0 mm distance	
Dimension C mm	Overlay mm	Dimension C mm	Overlay mm
3.0	13.0	3.0	16.0
3.5	13.5	3.5	16.5
4.0	14.0	4.0	17.0
4.5	14.5	4.5	17.5
5.0	15.0	5.0	18.0