

Other flap fittings

- ▶ Upward opening flap fitting
- ▶ Lift Junior

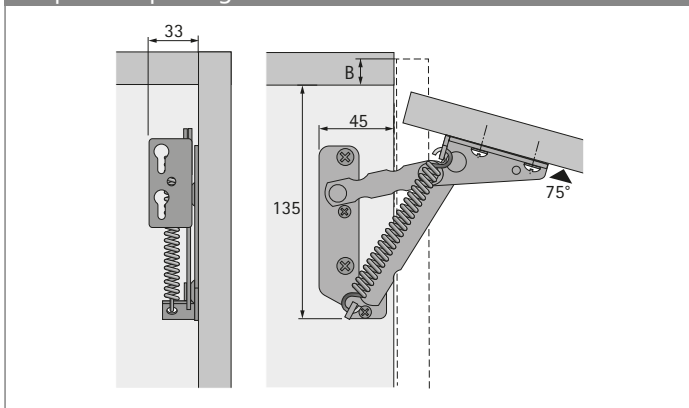
Lift Junior



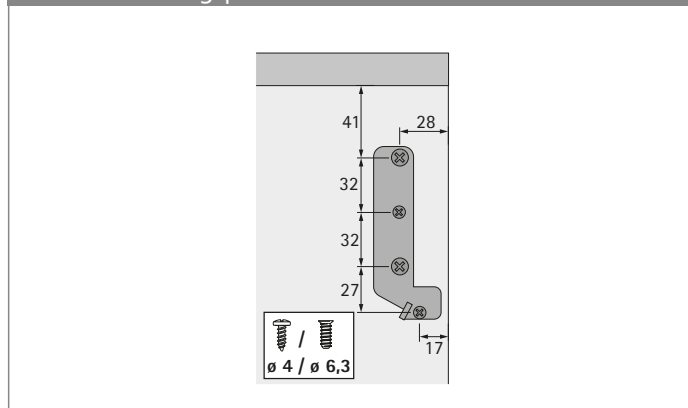
- ▶ For wooden front panels or framed wooden front panels
- ▶ Flap dimensions: height 200 - 500 mm / width 300 - 1000 mm
- ▶ Steel, nickel plated

Opening angle °	Spring force N	Max. flap weight kg	Order no.	PU
75	90	2	0 079 397	1/10 pair
75	140	2.5	0 040 722	1/10 pair

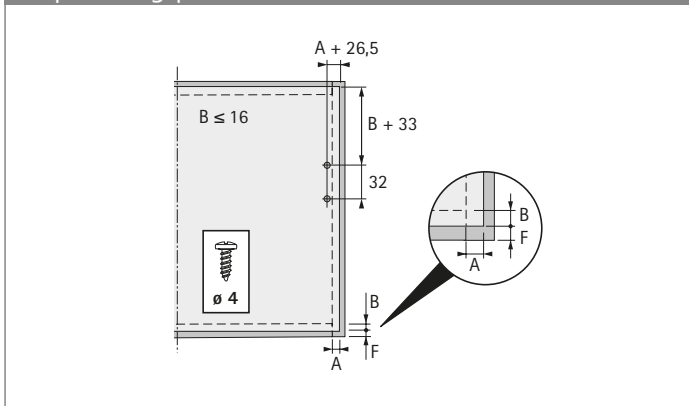
Flap and opening dimensions



Carcase drilling pattern



Flap drilling pattern



Application

