

Other flap fittings

- ▶ Flap stay
- ▶ **Klassik D with magnetic stay close function**

Klassik D with magnetic stay close function

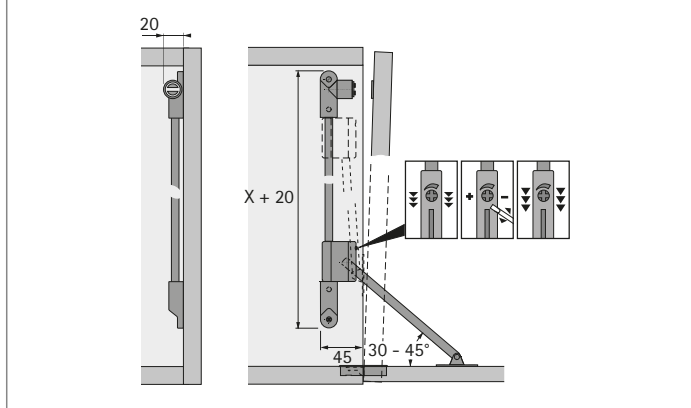


- ▶ For wooden front panels or framed wooden front panels
- ▶ Flap weight including handle max. 4 kg per fitting
- ▶ Hole line application for fast, easy installation in system 32
- ▶ High quality, zero maintenance braking system with precision adjustment
- ▶ Adjustable 4 mm magnetic catch, including counterplate
- ▶ Can be used on one or both sides
- ▶ Markant 11 flap hinges must be fitted at the bottom of the flap, please order separately
- ▶ Steel nickel plated / zinc die-cast nickel plated

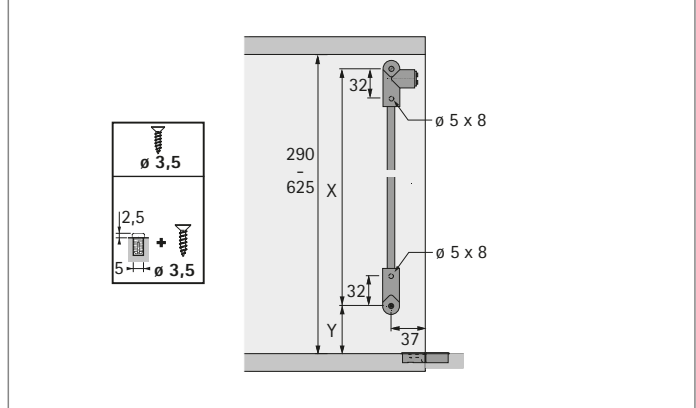
Page reference:
 ▶ For Markant 11 flap hinges, see page 285

Inside carcase height mm	Article	Order no. / mounting side		PU
		left	right	
290 - 340	Klassik D / 290	0 021 575	0 021 698	1/10 ea.
365 - 404	Klassik D / 365	0 021 577	0 021 699	1/10 ea.
405 - 464	Klassik D / 405	0 021 579	0 021 700	1/10 ea.
465 - 564	Klassik D / 465	0 021 581	0 021 701	1/10 ea.
565 - 625	Klassik D / 565	0 021 583	0 021 702	1/10 ea.

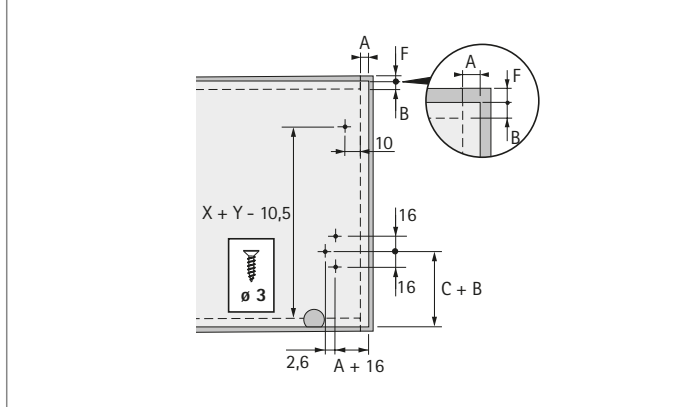
Flap and opening dimensions



Carcase drilling pattern



Flap drilling pattern



Installation dimensions

Inside carcase height mm	Dimension C mm	Dimension X mm	Dimension Y mm
290 - 340	52	252	24
365 - 404	77	288	56
405 - 464	115	320	56
465 - 564	141	352	88
565 - 625	180	416	120

The housing must rest on the lower support when the flap is open.