

# Other flap fittings

- ▶ Flap stay
- ▶ **Klassik D with L 258 D support**

## Klassik D with L 258 D support



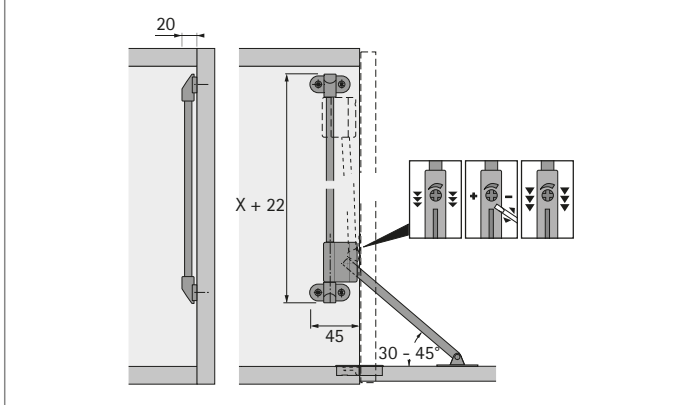
- ▶ For wooden front panels or framed wooden front panels
- ▶ Flap weight including handle max. 4 kg per fitting
- ▶ High quality, zero maintenance braking system with precision adjustment
- ▶ For left side (can also be used on the right after changing over foot)
- ▶ Can be used on one or both sides
- ▶ Markant 11 flap hinges must be fitted at the bottom of the flap, please order separately
- ▶ Steel nickel plated / zinc die-cast nickel plated

Page reference:

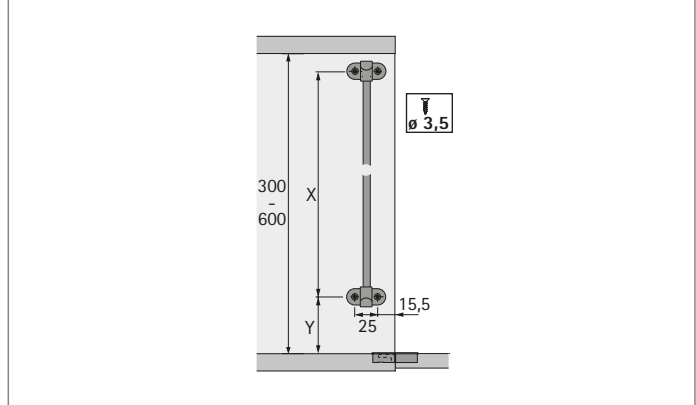
- ▶ For Markant 11 flap hinges, see page 285

Inside carcase height mm	Article	Order no.	PU
300 - 349	Klassik D / 300	<b>0 016 173</b>	1/10 ea.
350 - 399	Klassik D / 350	<b>0 016 174</b>	1/10 ea.
400 - 449	Klassik D / 400	<b>0 016 175</b>	1/10 ea.
450 - 507	Klassik D / 450	<b>0 016 176</b>	1/10 ea.
508 - 550	Klassik D / 508	<b>0 016 177</b>	1/10 ea.
551 - 600	Klassik D / 551	<b>0 016 178</b>	1/10 ea.

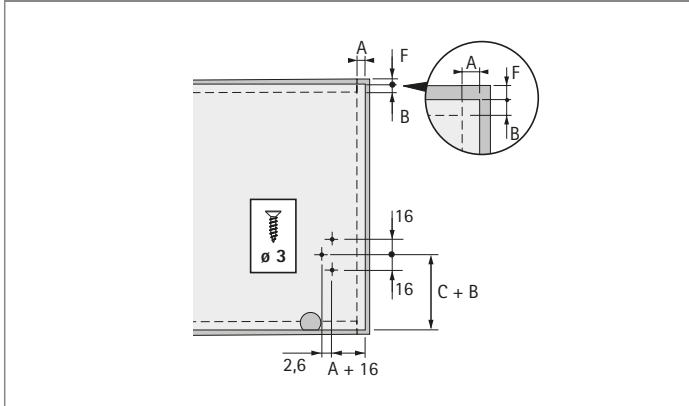
### Flap and opening dimensions



### Carcase drilling pattern



### Flap drilling pattern



### Installation dimensions

Inside carcase height mm	Dimension C mm	Dimension X mm	Dimension Y mm
300 - 349	70	182	100
350 - 399	101	224	112
400 - 449	116	252	126
450 - 507	132	272	138
508 - 550	166	322	175
551 - 600	186	372	168

The housing must rest on the lower support when the flap is open.