

## Other flap fittings

- ▶ Flap stay
- ▶ Centra S 250

### Centra S 250



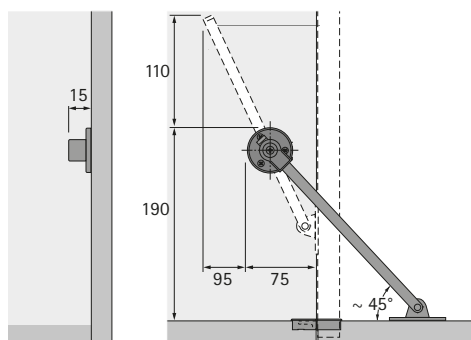
- ▶ For wooden front panels or framed wooden front panels
- ▶ Braking effect adjustable via clamping screw
- ▶ For right side
- ▶ Flap hinges must be fitted at the bottom of the flap, please order separately
- ▶ Steel, nickel plated / plastic

Page reference:

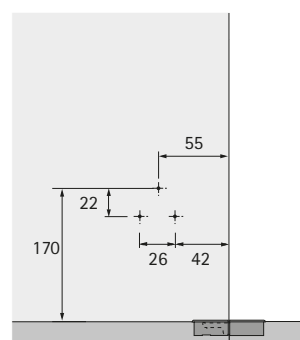
- ▶ For flap hinges, see page 284 - 287

Colour	Order no.	PU
white	0 013 223	1/10 ea.
brown	0 013 224	1/10 ea.

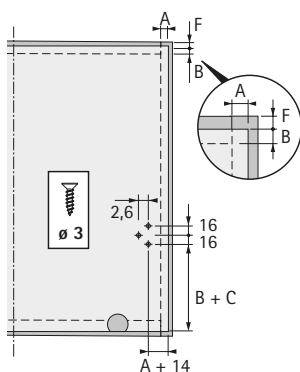
### Flap and opening dimensions



### Carcase drilling pattern



### Flap drilling pattern



### Installation dimensions

Dimension C depends on hinge used.  
Please carry out trial installation.