

Other flap fittings

- ▶ Flap stay
- ▶ KH

KH

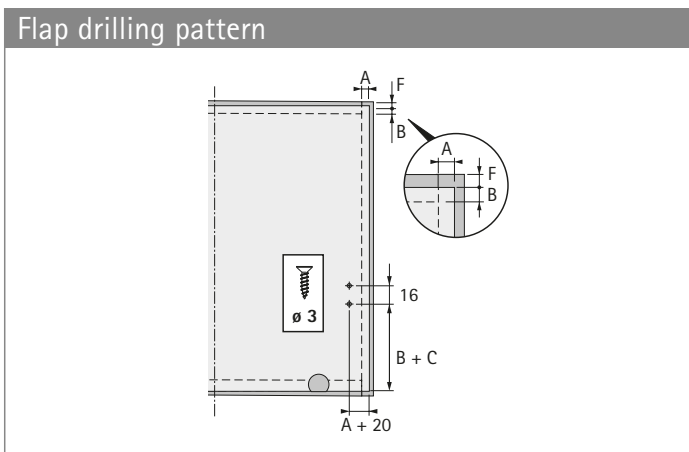
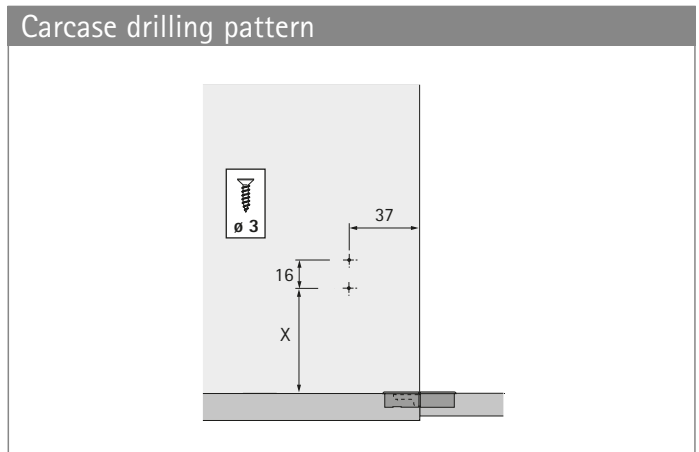
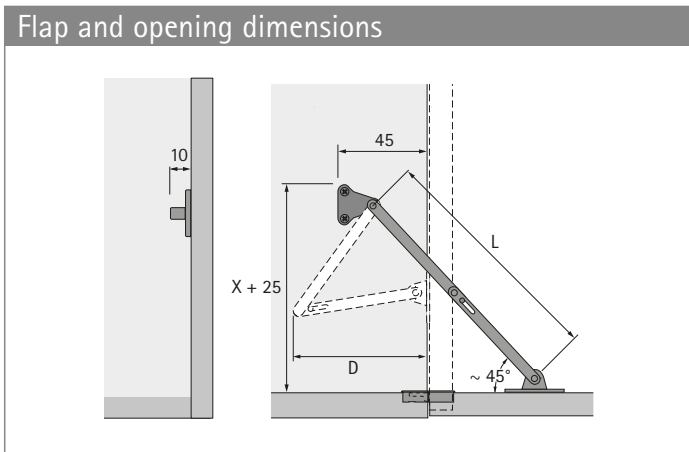


- ▶ For wooden front panels or framed wooden front panels
- ▶ Can be used on one or both sides
- ▶ Can be used on right or left
- ▶ Flap hinges must be fitted at the bottom of the flap, please order separately
- ▶ Steel, nickel plated

Page reference:

- ▶ For flap hinges, see page 284 - 287

Length (L) mm	Order no.	PU
200	0 013 233	1/10 ea.
250	0 013 235	1/10 ea.



Installation dimensions

Length (L) mm	Dimension D mm	Dimension X mm
200	110	140
250	130	177

Dimension C depends on hinge used. Please carry out trial installation.