

Interior fittings for wardrobes

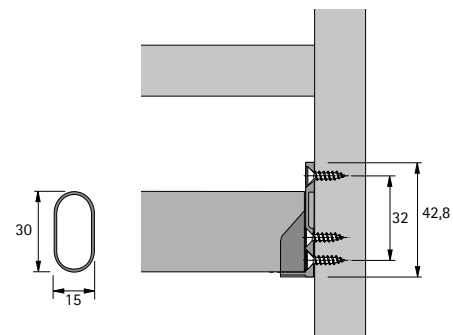
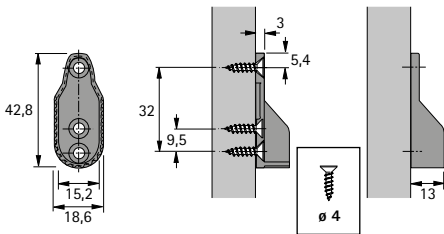
▶ Wardrobe rail supports

SL 322 wardrobe rail supports



- ▶ For screwing on with 3 screw holes
- ▶ Hole spacing 32 mm
- ▶ Zinc die-cast nickel plated

Order no.	PU
0 070 664	1/50 ea.



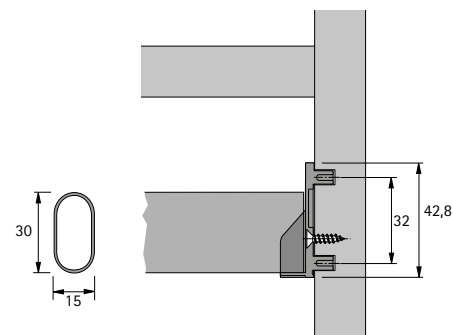
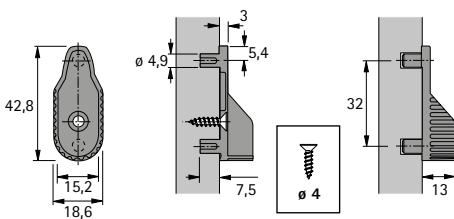
wardrobe rail length = internal cabinet width – 7 mm

SL 323 wardrobe rail supports



- ▶ For pressing in with 2 pins for drilling diameter of 5 mm
- ▶ Distance between pins 32 mm
- ▶ 1 additional screw hole
- ▶ Zinc die-cast nickel plated

Order no.	PU
0 070 666	1/50 ea.



wardrobe rail length = internal cabinet width – 7 mm