

# Sliding door system / top running

- ▶ TopLine 22 / overlay door position / door movement in front of top panel
- ▶ System components / 3-door

## Top door runner set



- ▶ Set for wooden doors / wood / aluminium framed doors
- ▶ Set for door movement at the top
- ▶ Set contains all the parts required for the specified cabinet configuration

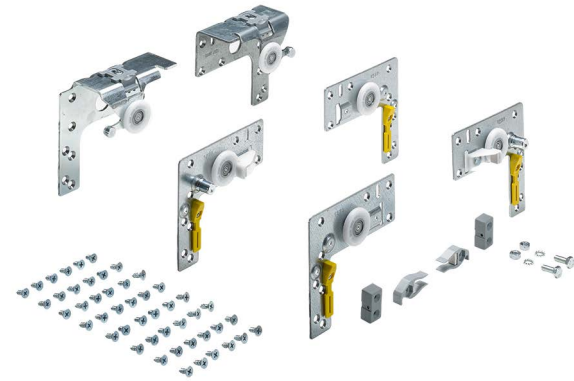
Set comprises:

- ▶ 2 running components for front most door
- ▶ 4 running components for rear most door
- ▶ 2 support blocks for runner profile
- ▶ 2 end stops
- ▶ 1 centre stop
- ▶ Fixing material

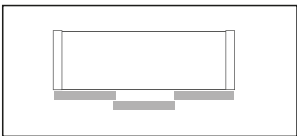
Advice:

- ▶ Please order Silent System and profiles separately (see pages 113, 114 - 118)

Max. door thickness mm	Door centre distance (EB) mm	Order no.	PU
21	29	<b>0 013 433</b>	1 set
28	36	<b>9 080 203</b>	1 set



## Silent System soft closing set



- ▶ Suitable for wooden or framed doors
- ▶ For max. door weight 50 kg
- ▶ Upgradeable
- ▶ Plastic, grey

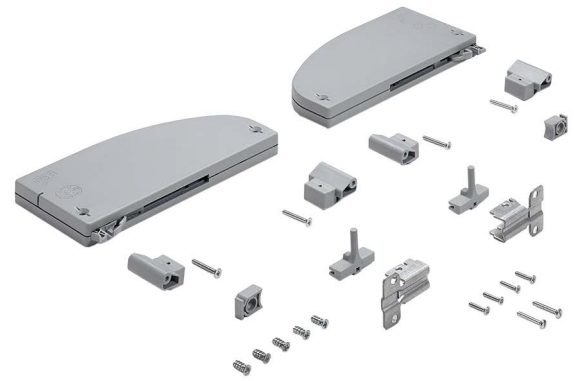
Set comprises:

- ▶ 2 soft closing elements
- ▶ 2 activators
- ▶ 4 Silent System connectors

- ▶ 2 end stops
- ▶ Fixing material

Advice:

- ▶ Please order fitting sets and profiles separately
- ▶ Soft closing for rear most doors



Order no.	PU
<b>9 096 761</b>	1 set