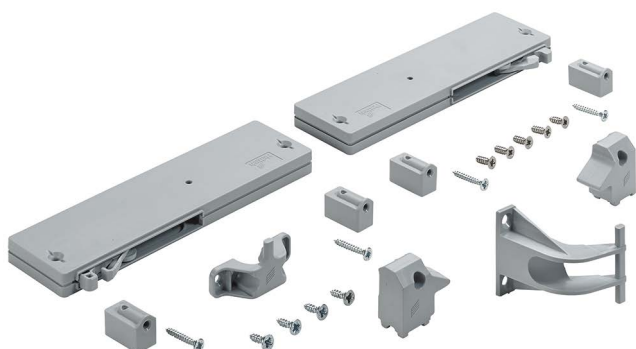
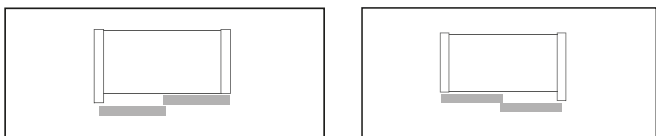


- ▶ TopLine M / overlay door position
- ▶ System components / 2-door

Silent System soft closing set



- ▶ Quietly and gently closing sliding doors
- ▶ Little effort required for easy door movement

Set comprises:

- ▶ 2 soft closing elements
- ▶ 2 activators
- ▶ 4 mounting adapters
- ▶ 2 end stops
- ▶ Fixing material

Advice:

- ▶ Please order fitting sets and profiles separately (see pages 136, 140 - 141)
- ▶ Soft closing element can only be used for offset opening

| Order no. | PU |
|-----------|-------|
| 9 144 901 | 1 set |