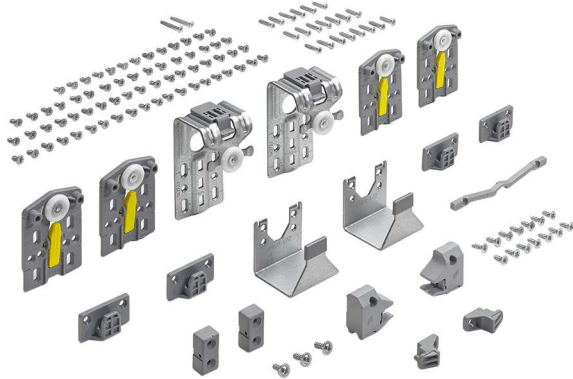


- ▶ TopLine M / overlay door position
- ▶ System components / 3-door

STB 16.1 set, for guide system in front of the bottom panel



- ▶ Offset opening for applications with door handles or finger pulls (door offset: 58 mm)
- ▶ Flush opening for handleless applications and when using internal drawers (door offset: 0 mm)
- ▶ Running components with integrated lift off guard
- ▶ Package contains all the fitting components required for an entire 3-door cabinet
- ▶ For door thicknesses of maximum 19 mm (EB 29)

Set comprises:

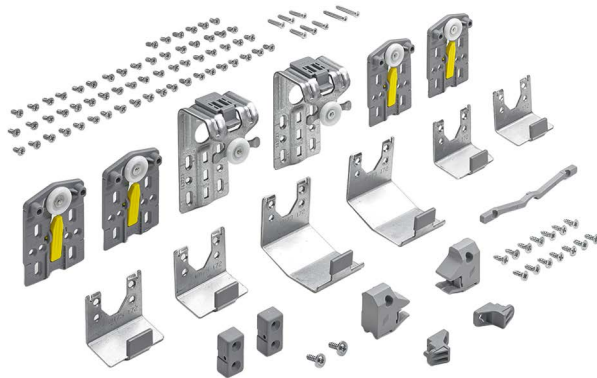
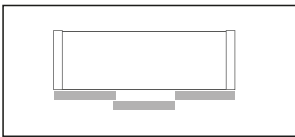
- ▶ 2 running components for one front most door
- ▶ 4 running components for two rear most doors
- ▶ 2 guide components for one front most door
- ▶ 4 guide components for two rear most doors
- ▶ 2 support blocks for the runner profile
- ▶ 2 end stops for the runner profile
- ▶ 1 spacer for offset opening
- ▶ Fixing material

Advice:

- ▶ Please order profiles separately (see pages 140 - 141)

Version	Order no.	PU
Standard	9 129 577	1 set

STB 16.2 set, for guide system below the bottom panel



- ▶ Offset opening for applications with door handles or finger pulls (door offset: 58 mm)
- ▶ Flush opening for handleless applications and when using internal drawers (door offset: 0 mm)
- ▶ Running components with integrated lift off guard
- ▶ Package contains all the fitting components required for an entire 3-door cabinet
- ▶ For door thicknesses of maximum 19 mm (EB 29)

Set comprises:

- ▶ 2 running components for one front most door
- ▶ 4 running components for two rear most doors
- ▶ 2 guide components for one front most door
- ▶ 4 guide components for two rear most doors
- ▶ 2 support blocks for the runner profile
- ▶ 2 end stops for the runner profile
- ▶ 1 spacer for offset opening
- ▶ Fixing material

Advice:

- ▶ Please order profiles separately (see pages 140 - 141)

Version	Order no.	PU
Standard	9 133 642	1 set