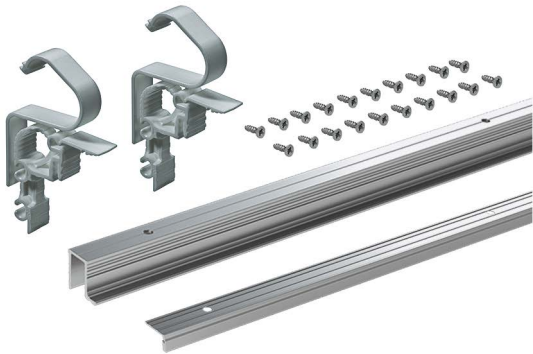


# Folding door system

- ▶ WingLine L / attached to the side
- ▶ System components

## Profile set



- ▶ Aluminium, anodized
- ▶ Screw mounting positions predrilled

Set comprises:

- ▶ 1 runner profile
- ▶ 1 guide profile
- ▶ 2 profile mounting clips
- ▶ Fixing screws

Advice:

- ▶ Please make a separate order for fittings, Push to move, Pull to move and Pull to move Silent

Length mm	Order no.	PU
1200	<b>9 239 311</b>	1 set
2400	<b>9 239 310</b>	1 set

## Runner profile



- ▶ Aluminium
- ▶ For screwing on
- ▶ Screw on positions predrilled

Advice:

customised lengths on request

Length mm	Finish	Order no.	PU
1200	anodized	<b>9 237 916</b>	100 ea.
2400	anodized	<b>9 237 917</b>	100 ea.
1200	bright	<b>9 237 991</b>	100 ea.
2400	bright	<b>9 237 992</b>	100 ea.
individual	individual	<b>LA 02070</b>	100 ea.

## Guide profile



- ▶ Aluminium
- ▶ For screwing on
- ▶ Screw on positions predrilled

Advice:

Customised lengths on request

Length mm	Finish	Order no.	PU
1200	anodized	<b>9 237 989</b>	100 ea.
2400	anodized	<b>9 237 990</b>	100 ea.
1200	bright	<b>9 237 987</b>	100 ea.
2400	bright	<b>9 237 988</b>	100 ea.
individual	individual	<b>LA 12130</b>	100 ea.