


Fast assembly concealed hinge

- ▶ **Intermat 9936 for aluminium framed doors**
- ▶ **Opening angle 95°**



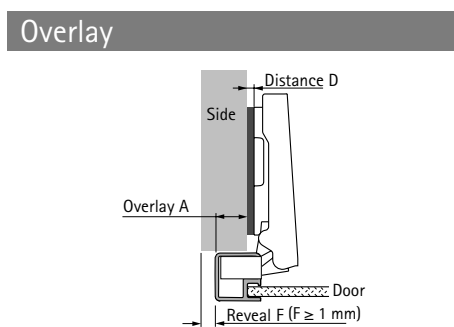
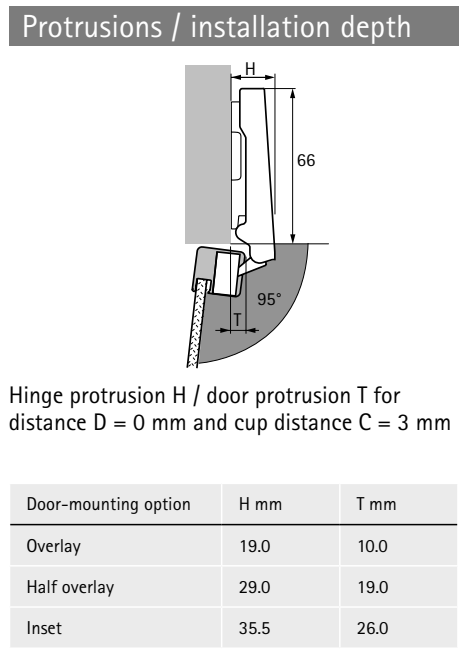
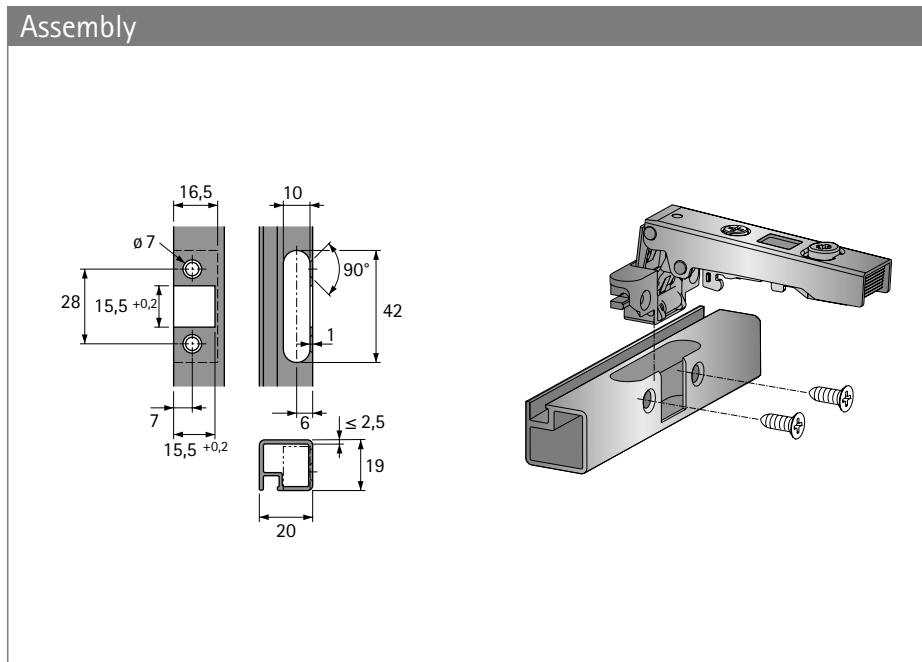
- ▶ Concealed hinge with clip on assembly
- ▶ Quality grades to EN 15570, Level 2
- ▶ For 19 mm wide aluminium frame profiles
- ▶ Integrated overlay adjustment + 2.5 mm / - 2.5 mm
- ▶ Integrated depth adjustment 4 mm
- ▶ Height adjustment at mounting plate
- ▶ Cup TA22 / D for use with optional clip on Silent System (see page 134)
- ▶ Material of hinge arm: Steel, nickel-plated
- ▶ Material of hinge cup: Zinc die-cast nickel-plated
- ▶ Including 2 fixing screws

Intermat 9936 Alu, opening angle 95°

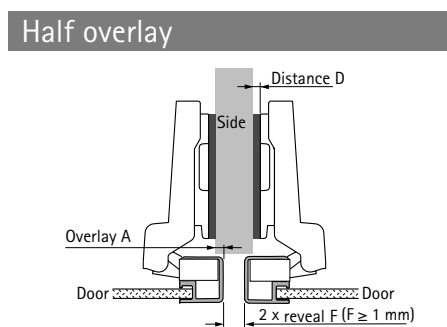
	Overlay	Half overlay	Inset	
				
Cup assembly	Basis B 13.5 mm (Cranking 0 mm)	Basis B 4 mm (Cranking 9.5 mm)	Basis B - 2.5 mm (Cranking 16 mm)	PU
Screw on type TA 22	9 155 233	9 155 234	9 155 235	50 ea.
Screw on type TA 22 / D	9 155 236	9 155 237	9 155 238	50 ea.

Fast assembly concealed hinge

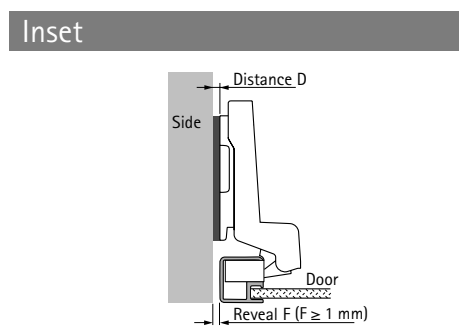
- ▶ Intermat 9936 for aluminium framed doors
- ▶ Opening angle 95°



Distance D = 16 mm - overlay A



Distance D = 6.5 mm - overlay A



Distance D = reveal F

Overlay mm	Distance D mm
5	11.0
6	10.0
7	9.0
8	8.0
9	7.0
10	6.0
11	5.0
12	4.0
13	3.0
14	2.0
15	1.0
16	0.0

Overlay mm	Distance D mm
0	6.5
1	5.5
2	4.5
3	3.5
4	2.5
5	1.5
6	0.5
6.5	0.0

Reveal mm	Distance D mm
1	1.0
2	2.0
3	3.0
4	4.0
5	5.0

▶ Advice

For mounting plates and accessories, see page 64 - 67, 122 - 128
 For optional Silent System and Push to open opening system, see page 130 - 131, 140 - 141
 For mounting options, assembly information, installation instructions and quality criteria, see page 178 - 186, 209