

Drawer runner

- ▶ Partial extension runner Quadro 25 with Stop Control
- ▶ Loading capacity 25 kg



- ▶ **Stop Control** - integrated self-closing mechanism for automatic closure
- ▶ Convenient slide on installation with catches and tool-less vertical adjustment
- ▶ Flexible interchangeable system - from Quadro partial to full extension runner without altering carcass, drawer and front-panel dimensions
- ▶ Loading capacity to EN 15338, Level 3
- ▶ Galvanised steel

Quadro 25 with Stop Control

Nominal length / Drawer length NL mm	Minimum carcass depth KT mm	Extension loss EL mm	Hole spacing b1 mm	Order no.		PU
				left	right	
250	263	50	160	9 105 635	9 105 636	30 ea.
280	293	50	160	9 105 637	9 105 638	30 ea.
300	313	50	160	9 105 639	9 105 640	30 ea.
320	333	62	192	9 105 641	9 105 642	30 ea.
350	363	62	192	9 105 643	9 105 644	30 ea.
380	393	62	224	9 105 645	9 105 646	30 ea.
400	413	74	224	9 105 647	9 105 648	30 ea.
420	433	74	224	9 105 649	9 105 650	30 ea.
450	463	86	256	9 105 651	9 105 652	30 ea.
480	493	86	256	9 105 653	9 105 654	30 ea.
500	513	98	288	9 105 655	9 105 656	30 ea.
520	533	98	288	9 105 657	9 105 658	30 ea.
550	563	98	320	9 105 659	9 105 660	30 ea.
580	593	110	352	1 029 962	1 029 963	38 ea.
600	613	110	352	1 043 849	1 043 850	30 ea.
650	663	134	352	1 053 767	1 053 768	30 ea.

Using the mounting plug reduces drawer length (NL) by 10 mm.

Catch for wooden drawers with grooved base



- ▶ For safely connecting the Quadro runner and wooden drawer without the need for tools
- ▶ Infinite height adjustment up to + 2 mm via a knurled wheel
- ▶ Plastic, black

Article	Order no.	PU
Left catch	9 144 830	100 ea.
Right catch	9 144 841	100 ea.
Pair, left / right	9 144 597	5 pairs

Drawer runner

- ▶ Partial extension runner Quadro 25 with Stop Control
- ▶ Loading capacity 25 kg

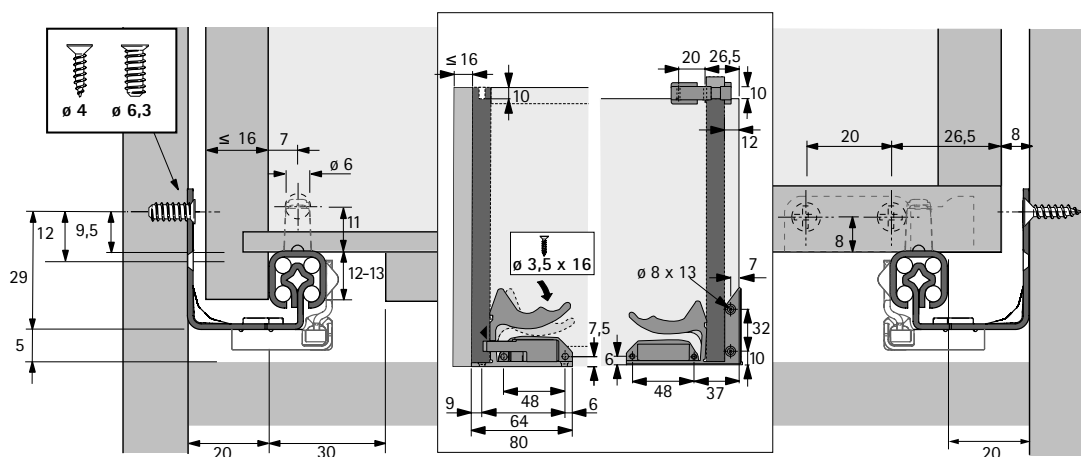
Catch for pull-out shelves / wooden drawers with flush base



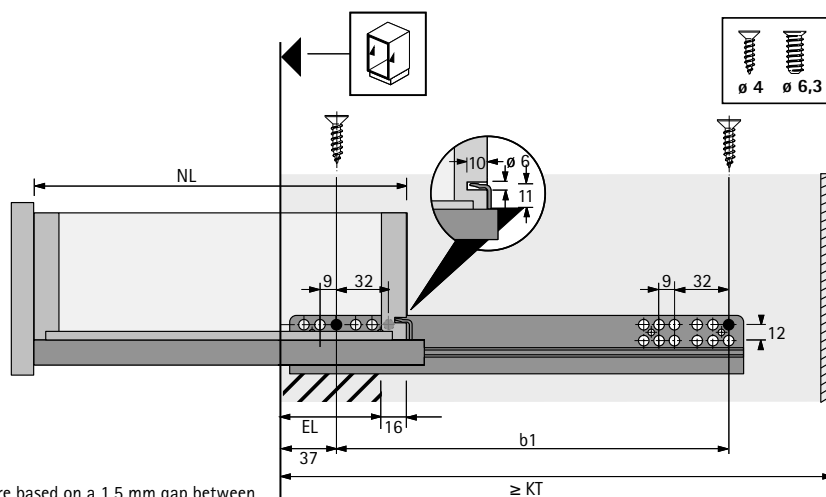
- ▶ For securely connecting Quadro runner and pull-out shelf / wooden drawer with flush base, including mounting, without the need for tools
- ▶ For 16 - 19 mm thick pull-out shelves
- ▶ Plastic, black / white

Order no.	PU
0 075 808	5 pairs

Planning dimensions



Planning dimensions



Stated dimensions are based on a 1.5 mm gap between front panels. Carcase drilling pattern must allow for thicker front-panel buffers.

• = minimum number of screw-fixing positions

For technical information, see pages 1000 - 1002
 For accessories, see pages 997 - 999