

Drawer runner

- ▶ Partial extension runner Quadro 25 with Silent System
- ▶ Loading capacity 25 kg



- ▶ **Silent System** - the integrated Silent System closes the drawer quietly and gently
- ▶ Convenient slide on installation with catches and tool-less vertical adjustment
- ▶ Flexible interchangeable system - from Quadro partial to full extension runner without altering carcass, drawer and front panel dimensions
- ▶ Loading capacity to EN 15338, Level 3
- ▶ Galvanised steel

Quadro 25 with Silent System

Nominal length / Drawer length NL mm	Minimum carcass depth KT mm	Extension loss EL mm	Hole spacing b1 mm	Order no.		PU
				left	right	
250	263	50	160	9 105 661	9 105 662	30 ea.
280	293	50	160	9 105 663	9 105 664	30 ea.
300	313	50	160	9 105 665	9 105 666	30 ea.
320	333	62	192	9 105 667	9 105 668	30 ea.
350	363	62	192	9 105 669	9 105 670	30 ea.
380	393	62	224	9 105 671	9 105 672	30 ea.
400	413	74	224	9 105 673	9 105 674	30 ea.
420	433	74	224	9 105 675	9 105 676	30 ea.
450	463	86	256	9 105 677	9 105 678	30 ea.
480	493	86	256	9 105 679	9 105 680	30 ea.
500	513	98	288	9 105 682	9 105 683	30 ea.
520	533	98	288	9 105 684	9 105 685	30 ea.
550	563	98	320	9 105 686	9 105 687	30 ea.

Using the mounting plug reduces drawer length (NL) by 10 mm.

Catch for wooden drawers with grooved base



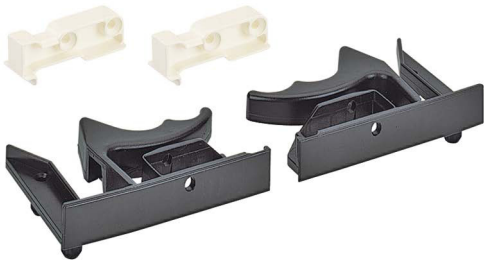
- ▶ For safely connecting the Quadro runner and wooden drawer without the need for tools
- ▶ Infinite height adjustment up to + 2 mm via a knurled wheel
- ▶ Plastic, black

Article	Order no.	PU
Left catch	9 144 830	100 ea.
Right catch	9 144 841	100 ea.
Pair, left / right	9 144 597	5 pairs

Drawer runner

- ▶ Partial extension runner Quadro 25 with Silent System
- ▶ Loading capacity 25 kg

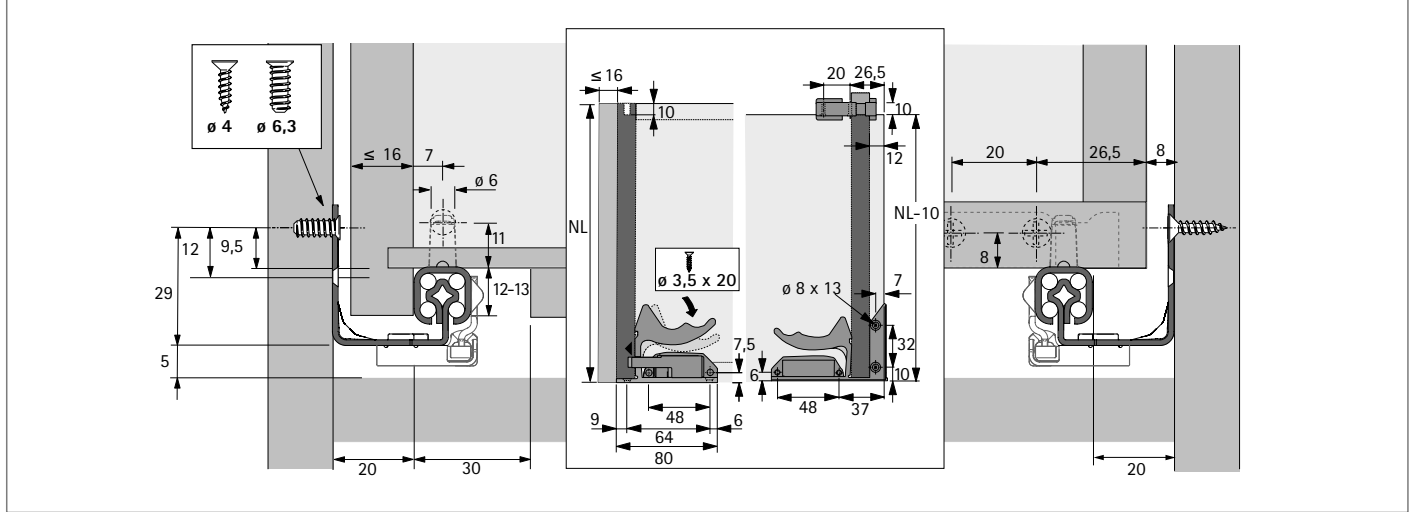
Catch for pull-out shelves / wooden drawers with flush base



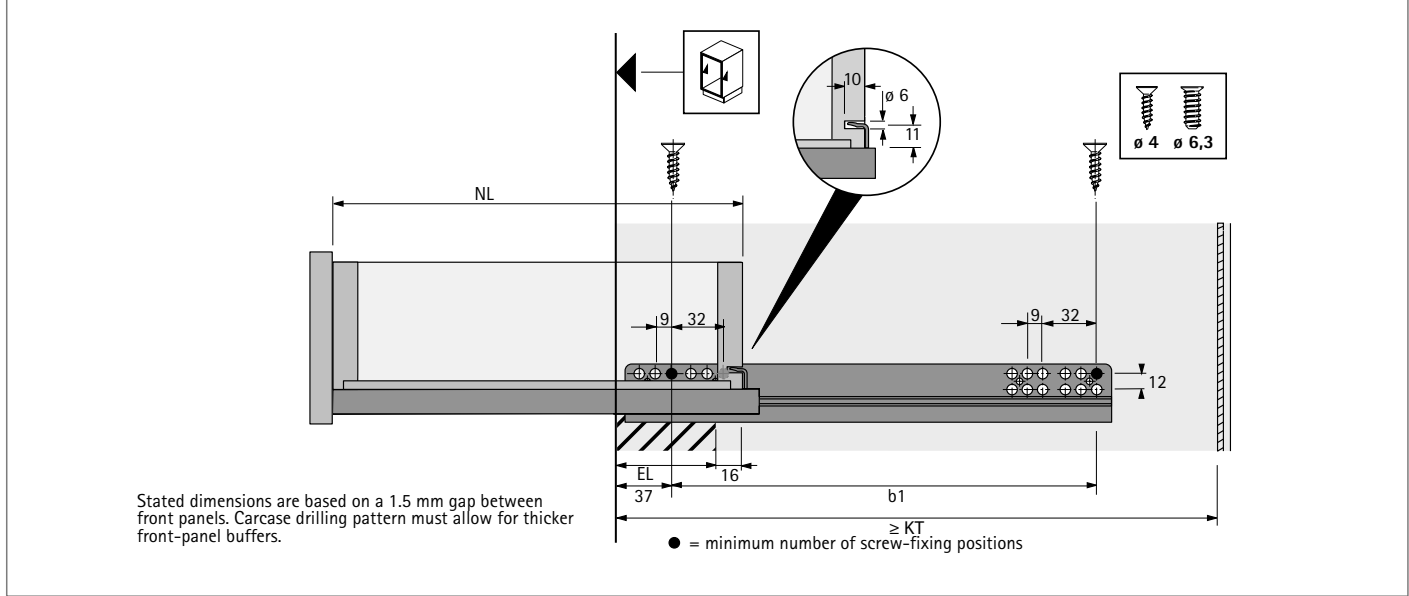
- ▶ For securely connecting Quadro runner and pull-out shelf / wooden drawer with flush base, including mounting, without the need for tools
- ▶ For 16 - 19 mm thick pull-out shelves
- ▶ Plastic, black / white

Order no.	PU
0 075 808	5 pairs

Planning dimensions



Planning dimensions



For technical information, see pages 1000 - 1002
 For accessories, see pages 997 - 999