

## Drawer runner

- ▶ Partial extension runner Quadro 25 with Push to open
- ▶ Loading capacity 25 kg



- ▶ **Push to open** - the precision activating mechanism automatically opens the drawer in virtual silence - a light press is all it takes!
- ▶ Convenient slide on installation with catches and tool-less vertical adjustment
- ▶ Flexible interchangeable system - from Quadro partial to full extension runner without altering carcass, drawer and front-panel dimensions
- ▶ Loading capacity to EN 15338, Level 3
- ▶ Galvanised steel

### Quadro 25 with Push to open

Nominal length / Drawer length NL mm	Minimum carcass depth KT mm	Extension loss EL mm	Hole spacing b1 mm	Order no.		PU
				left	right	
250	263	50	160	9 111 305	9 111 306	24 ea.
300	313	50	160	9 099 957	9 099 958	24 ea.
320	333	62	192	9 099 959	9 099 960	24 ea.
350	363	62	192	9 099 961	9 099 962	24 ea.
380	393	62	224	9 099 963	9 099 964	24 ea.
400	413	74	224	9 099 965	9 099 966	24 ea.
420	433	74	224	9 126 649	9 126 650	24 ea.
450	463	86	256	9 099 967	9 099 968	24 ea.
480	493	86	256	9 126 651	9 126 652	24 ea.
500	513	98	288	9 099 969	9 099 970	24 ea.
520	533	98	288	9 111 309	9 111 310	24 ea.
550	563	98	320	9 111 311	9 111 312	24 ea.

Using the mounting plug reduces drawer length (NL) by 10 mm.

### Catch for wooden drawers with grooved base



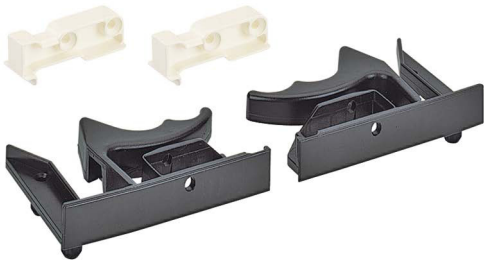
- ▶ For safely connecting the Quadro runner and wooden drawer without the need for tools
- ▶ Infinite height adjustment up to + 2 mm via a knurled wheel
- ▶ Plastic, black

Article	Order no.	PU
Left catch	9 144 830	100 ea.
Right catch	9 144 841	100 ea.
Pair, left / right	9 144 597	5 pairs

# Drawer runner

- ▶ Partial extension runner Quadro 25 with Push to open
- ▶ Loading capacity 25 kg

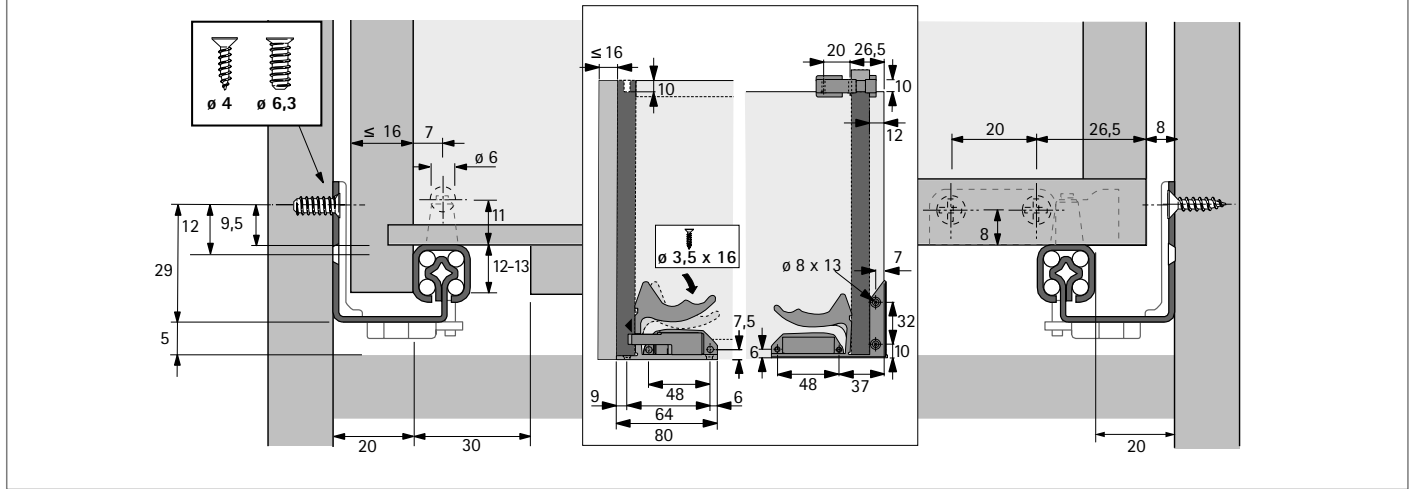
## Catch for pull-out shelves / wooden drawers with flush base



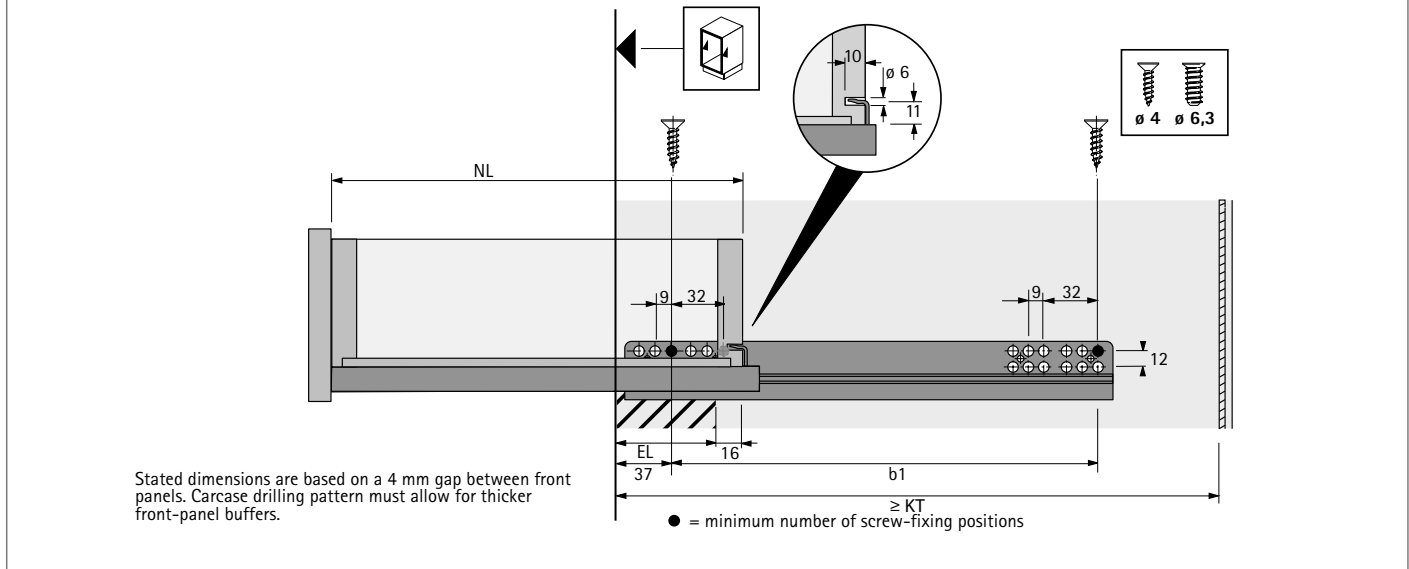
- ▶ For securely connecting Quadro runner and pull-out shelf / wooden drawer with flush base, including mounting, without the need for tools
- ▶ For 16 - 19 mm thick pull-out shelves
- ▶ Plastic, black / white

Order no.	PU
0 075 808	5 pairs

## Planning dimensions



## Planning dimensions



For technical information, see pages 1000 - 1002  
 For accessories, see pages 997 - 999