

# Quality criteria

## ► Concealed hinges

### Quality that meets all the demands

#### Quality that meets all the demands

The quality of hinges is subject to a process of continuous monitoring. Hettich fittings comply with the national and international quality standards of the markets our customers operate in. The diagrams below show examples of the principles behind some of the testing processes.

#### Application

Hettich hinges can be used in living room, kitchen, bathroom and office furniture.

#### Load capacity

The quality levels indicated on products comply with the requirements of EN 15570 and satisfy the overload tests at the specified level. We will be pleased to provide any further information you may require.

#### Corrosion test

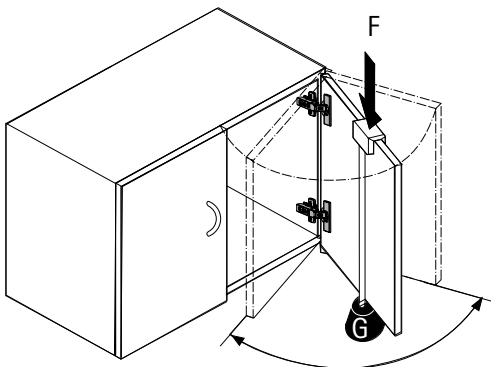
Hettich hinges satisfy the corrosion requirements under EN ISO 9227-2012 in accordance with the 48 h neutral salt spray test (NSS) as well as DIN EN ISO 6270-2-2012 in accordance with the 96 h alternating condensation water climate test with alternating air humidity and temperature (AHT).

#### Quality assurance

The processes for assuring the quality of Hettich hinges are certified under EN ISO 9001, Cert. No. DE8000209.

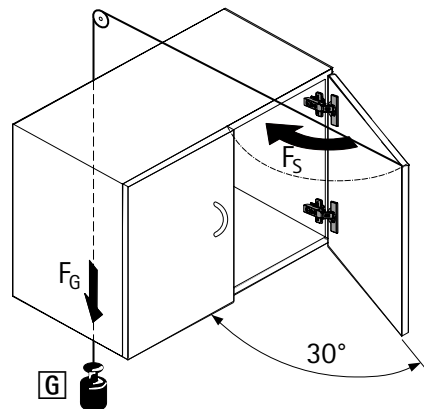
### Endurance test

The door is subjected to a specific number of opening and closing cycles.



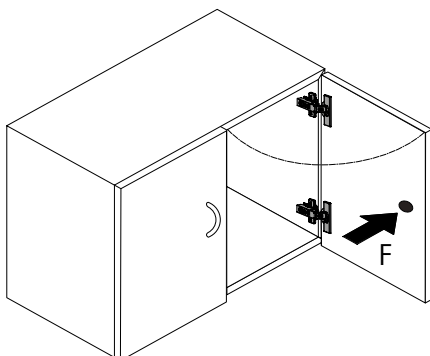
### Closing test

The door is opened by 30° and pushed closed from this position by means of a pulley and falling weight.



### Horizontal test

The door is over opened with a defined test force F. (This test only applies to hinges with an opening angle < 135°.)



### Vertical test

The door is subjected to a specific number of opening and closing cycles under a defined additional load G.

