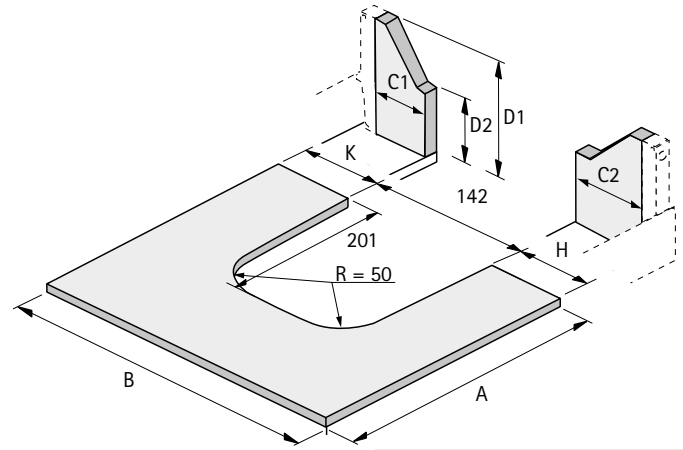
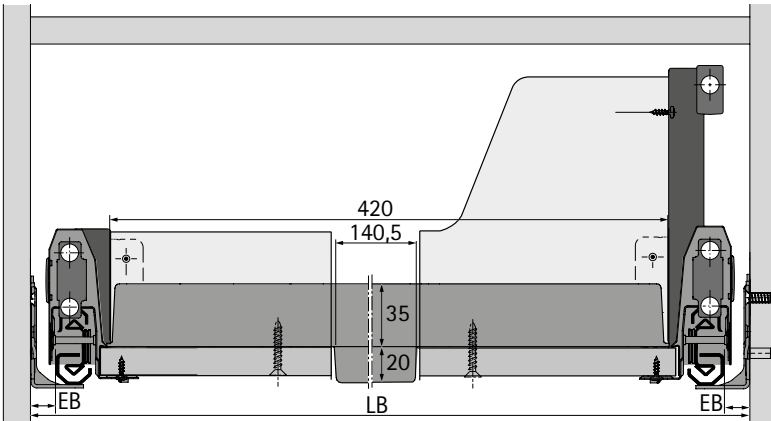
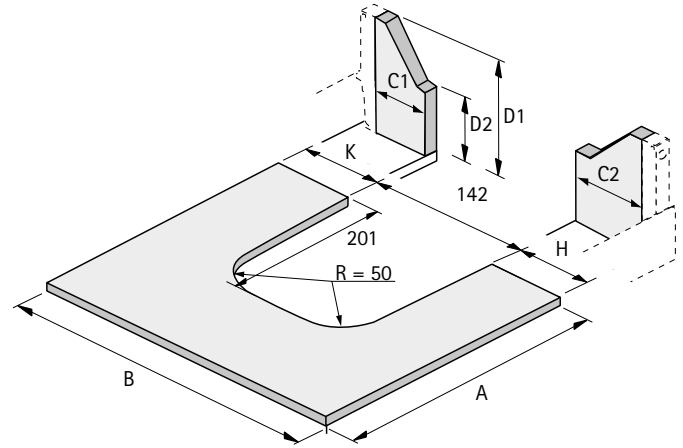
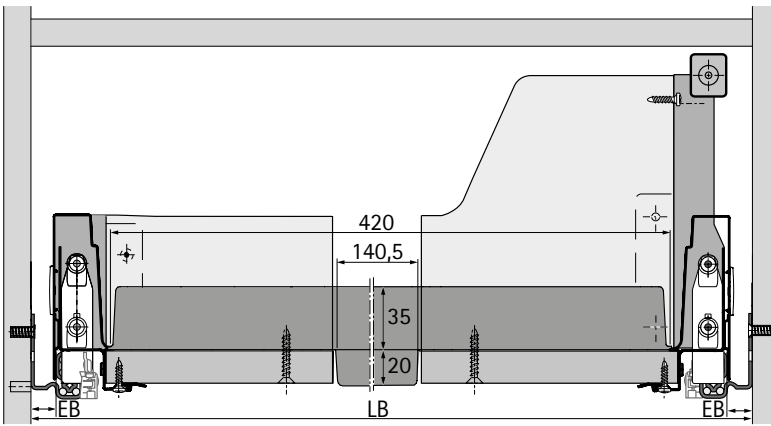


i ArciTech



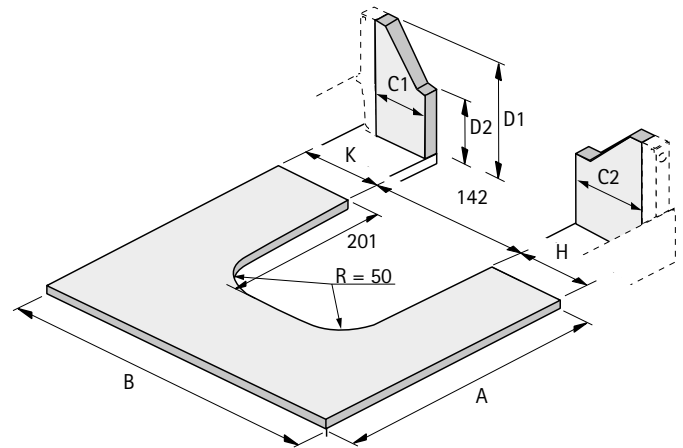
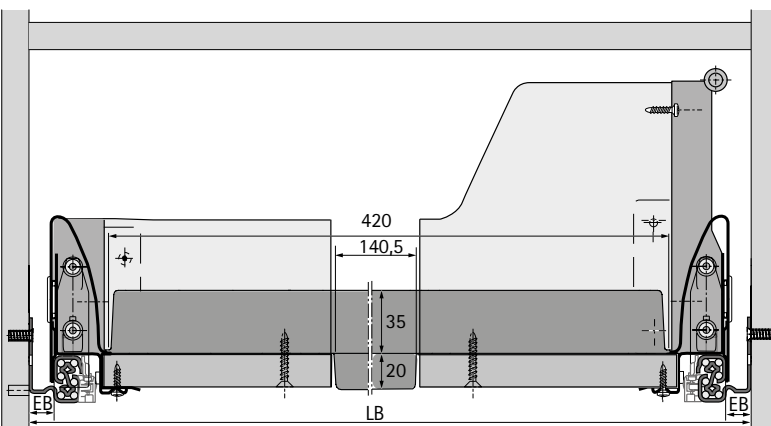
A =	NL - 24,5
B =	LB - 2 x EB - 52
C1 =	K - 6
C2 =	H - 6

i InnoTech Atira



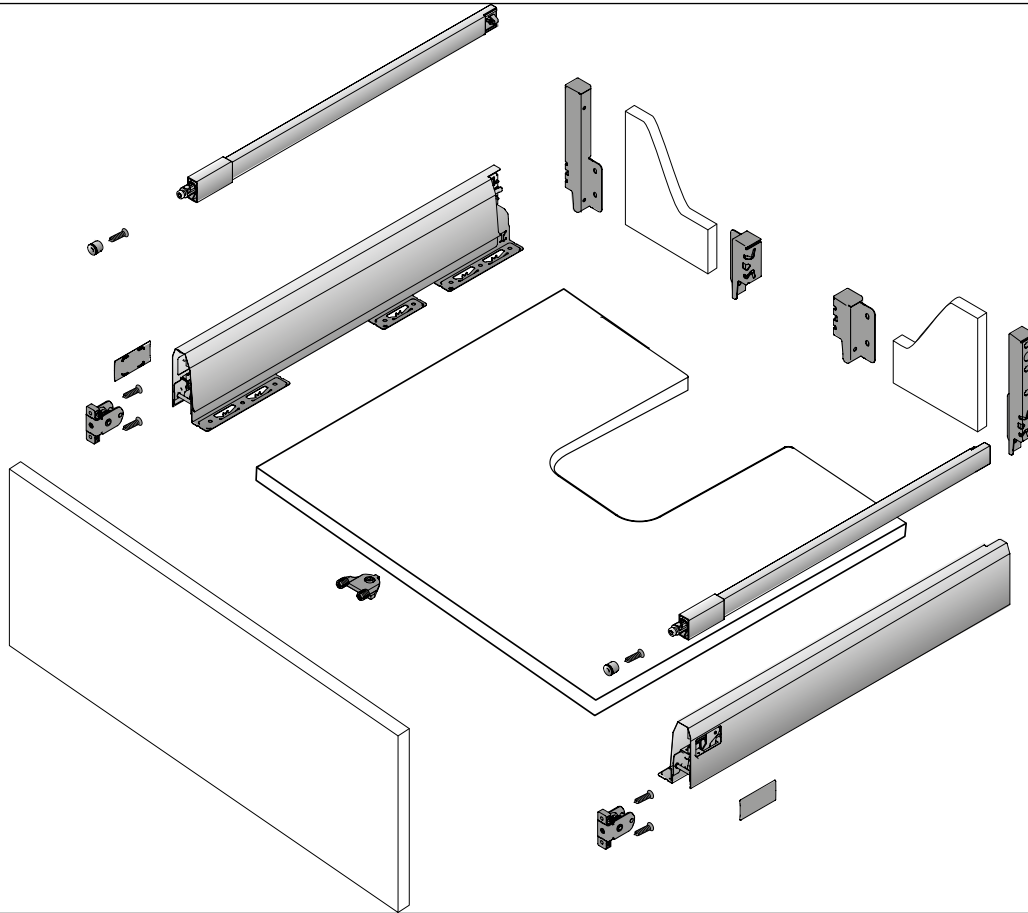
A =	NL + 10
B =	LB - 2 x EB - 51,5
C1 =	K - 6
C2 =	H - 6

i InnoTech



A =	NL + 10
B =	LB - 2 x EB - 51,5
C1 =	K - 6
C2 =	H - 6

1



2

