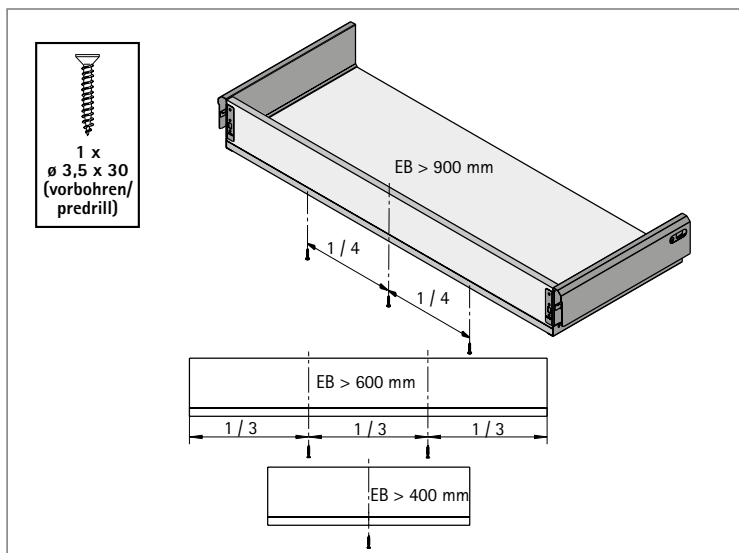
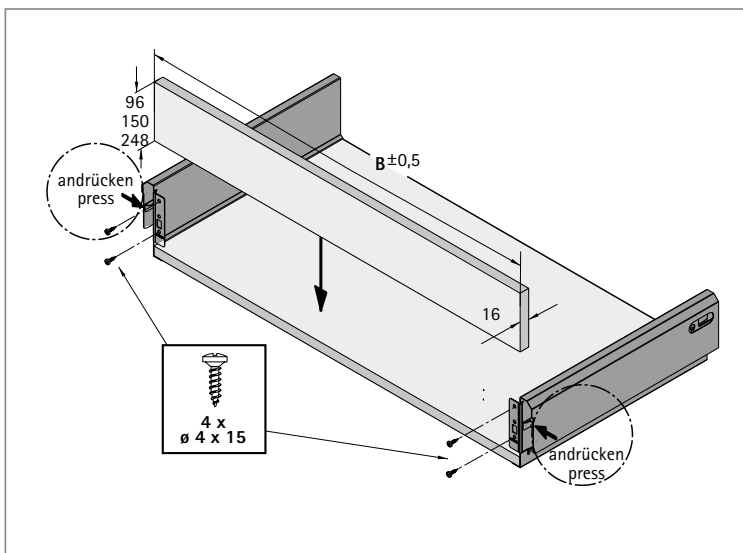
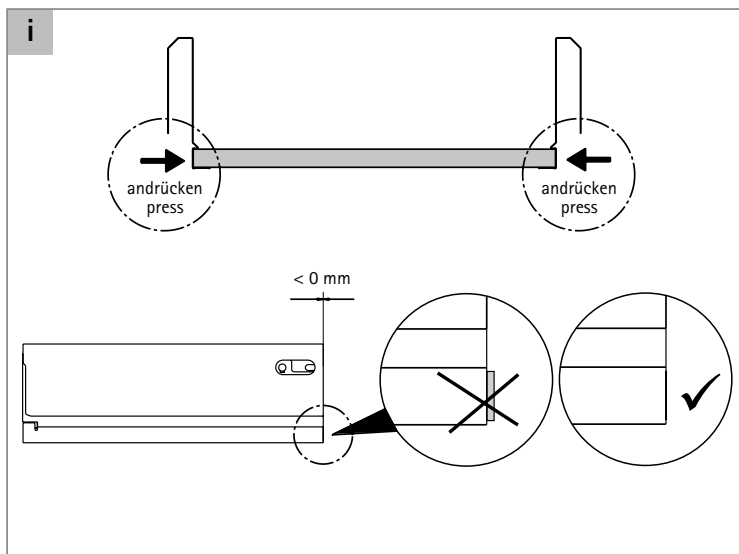
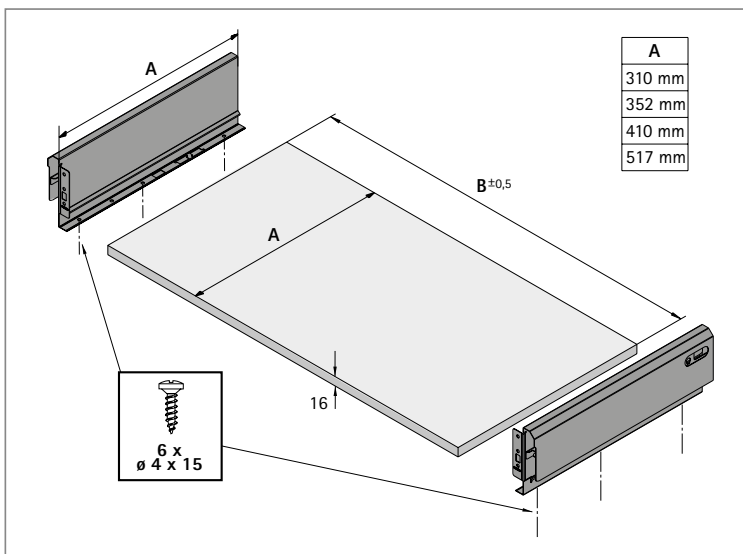


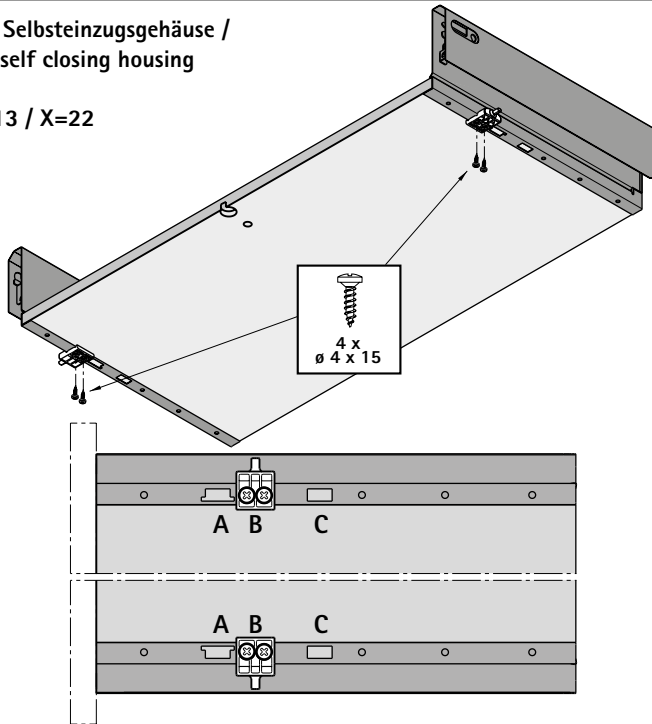
Beispiel / example:

Quadro Duplex	SysTech	Einbaubreite / Installation width EB	$X 3 \pm 0,3$	$B \pm 0,5$
X = 13	B = EB - 72,5 mm	X = 13 / X = 22	562 mm / 580 mm	489,5 mm
	X 3 = EB - 44 mm		762 mm / 780 mm	689,5 mm
X = 22	B = EB - 90,5 mm		962 mm / 980 mm	889,5 mm
	X 3 = EB - 62 mm		1162 mm / 1180 mm	1089,5 mm



Für Selbsteinzugsgehäuse /
for self closing housing

X=13 / X=22



Für Selbsteinzugsgehäuse /
for self closing housing
Silent System 40

X=13

