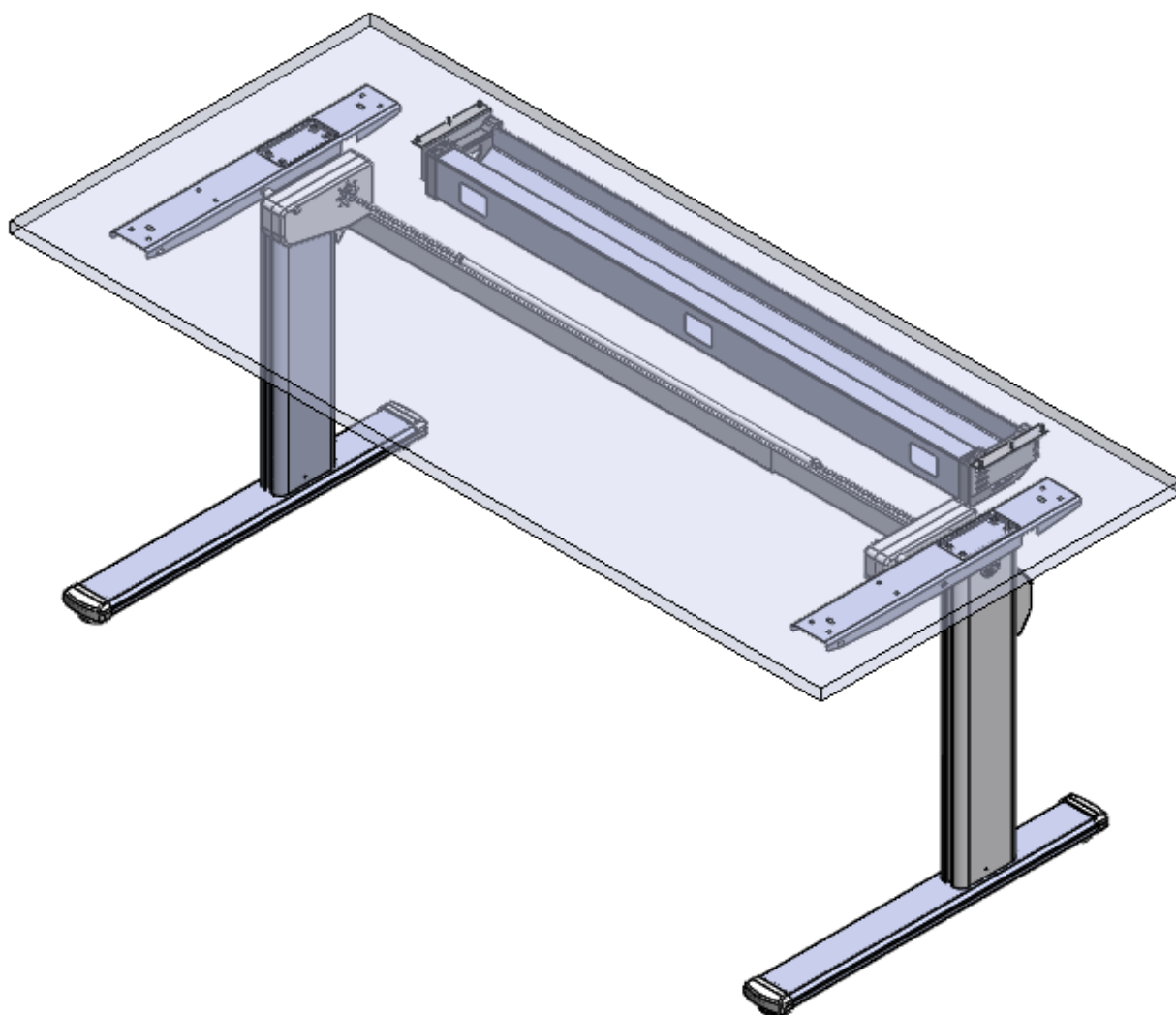


Cable Tray SWING (1200 mm)

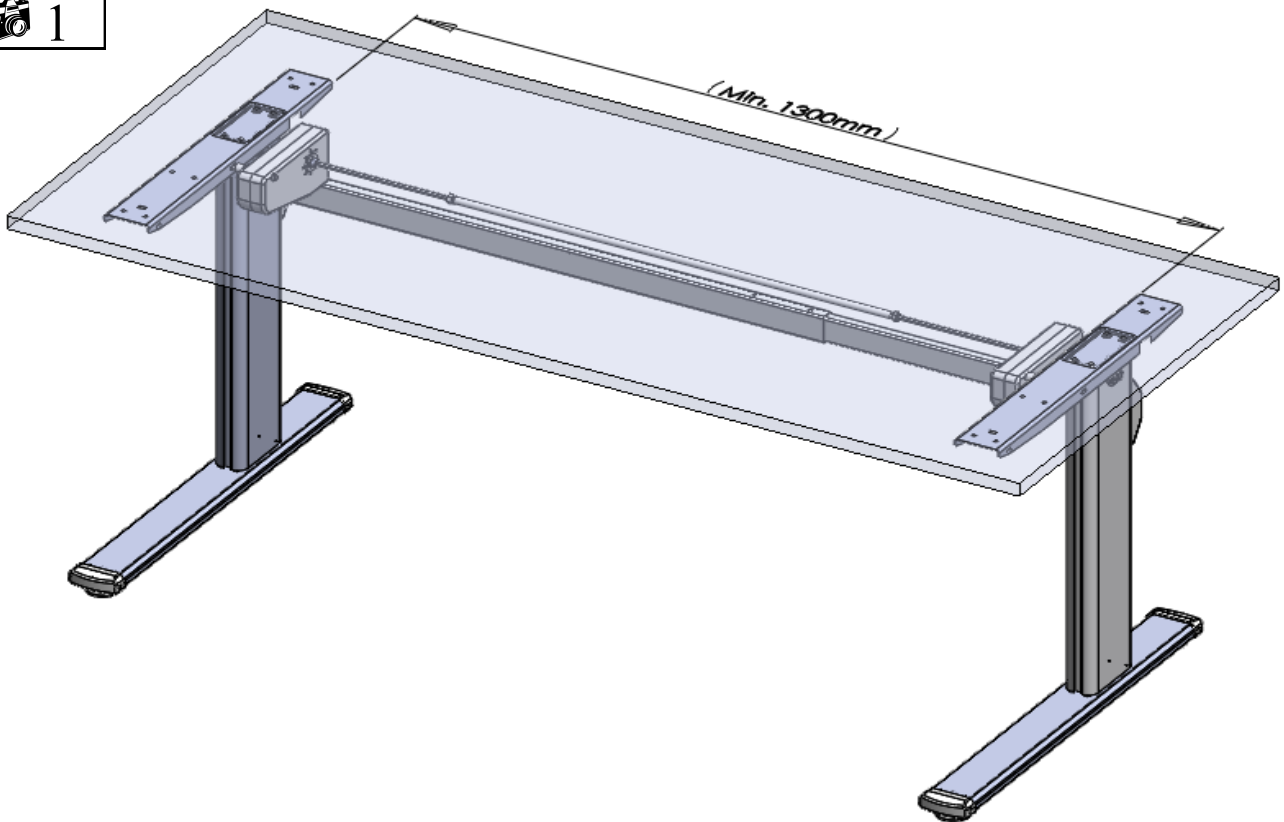
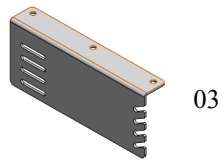
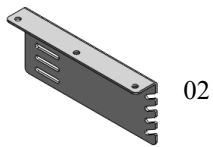
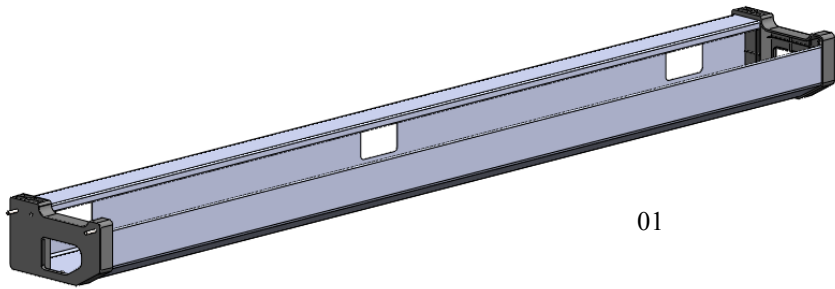


Assembly Manual

Read this manual thoroughly and store in a safe place!

Content box

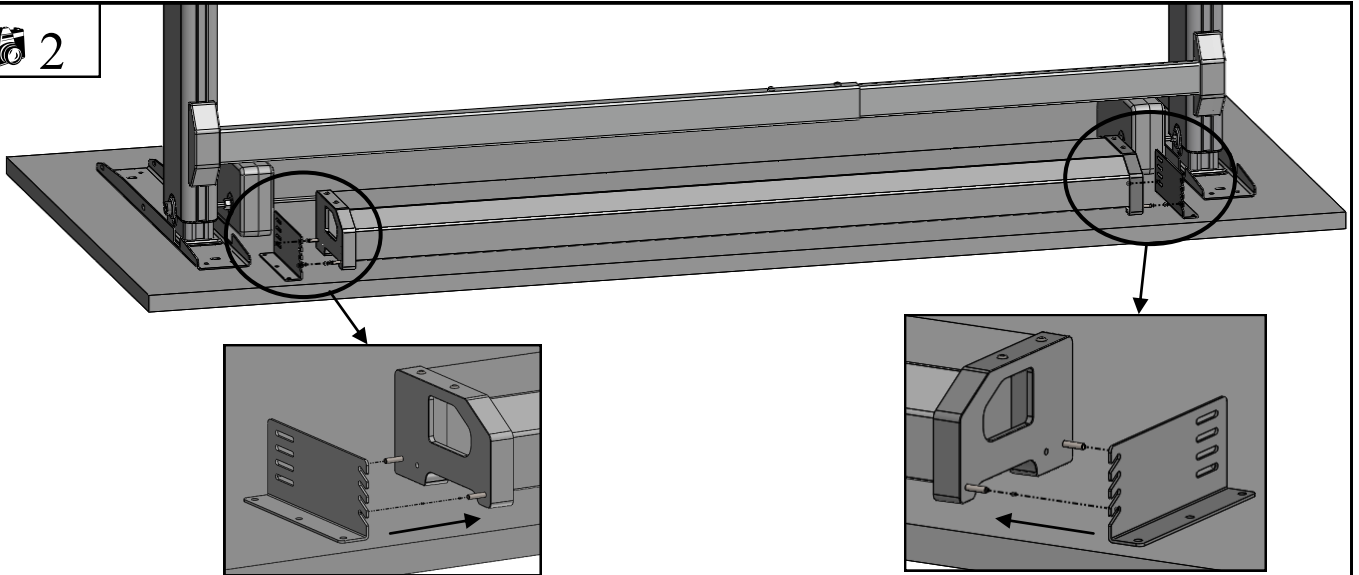
#	Part name	Qty
01	Pre Assembly Cable Tray 1200mm	1
02	Tray Guide Cap - Right	1
03	Tray Guide Cap - Left	1
04	Screw PH Chipboard 4.5 x 16mm	6



Adjusting the frame wide

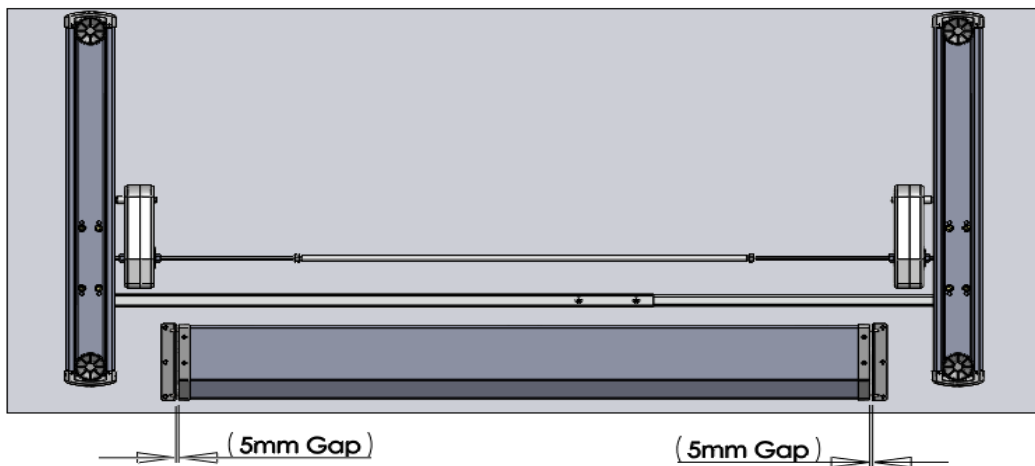
- Pull the frame outward to the minimum 1300mm wide.

2



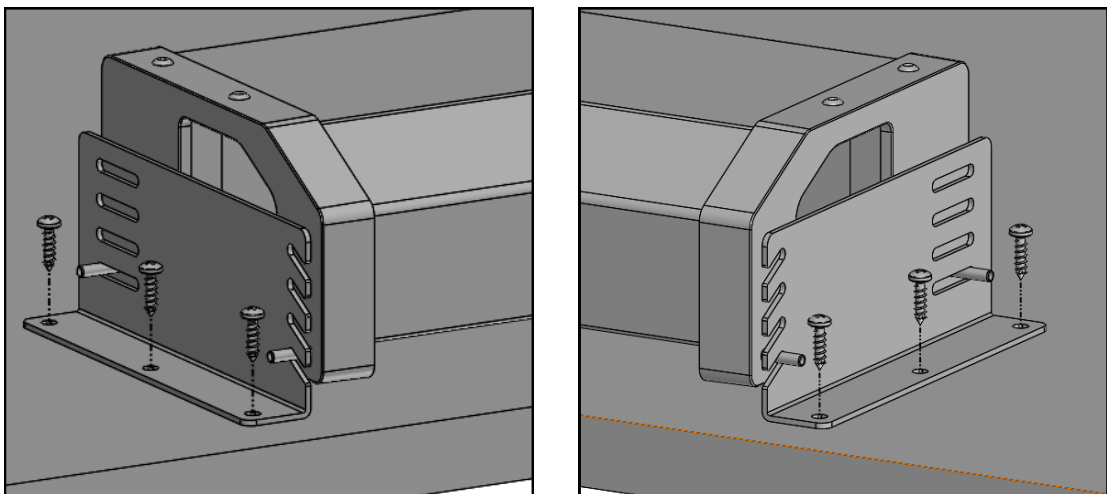
- Put the pre-assembly cable tray 1200mm at the centre of the table top.
- Slot the tray guide cap right and tray guide cap left into the spring pin.

3



- Leave 5mm gap between the pre-assembly cable tray and the tray guide cap right and left.

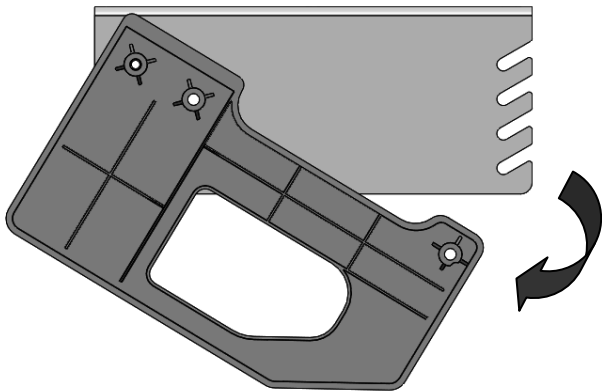
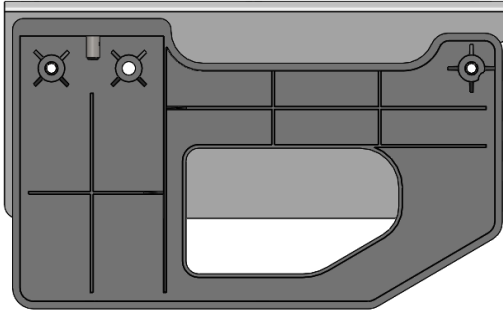
4



- Tighten the 6x chipboard screw with screw driver.

Mounting Direction

Option 1



Option 2

