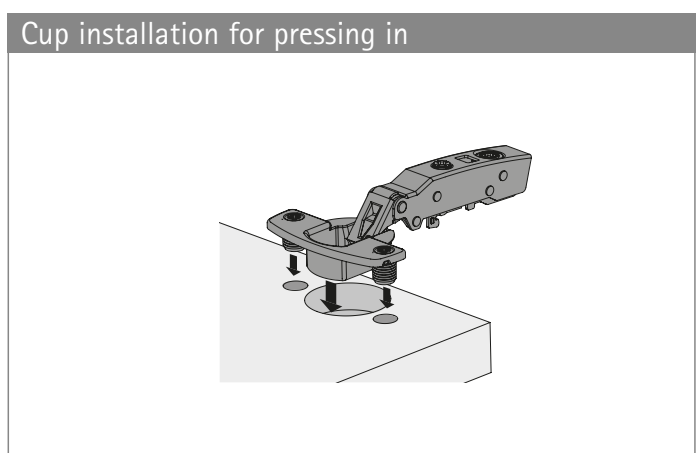
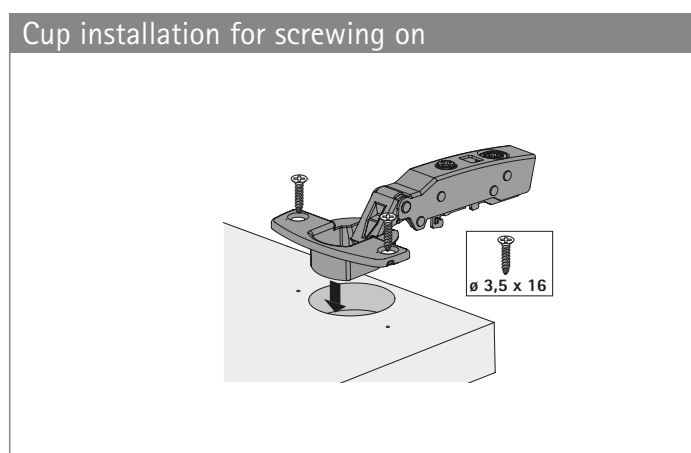
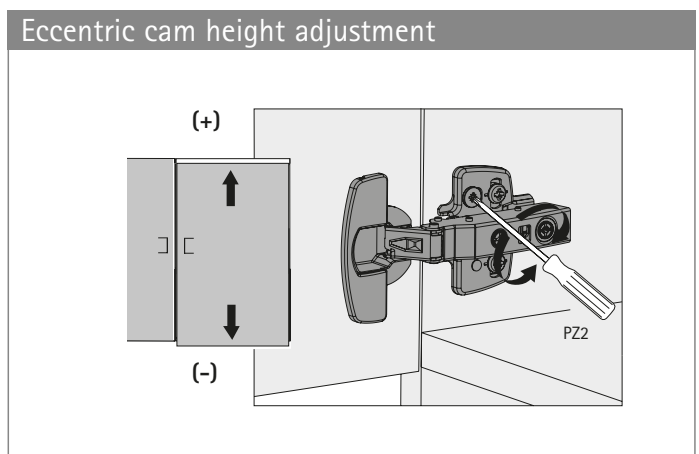
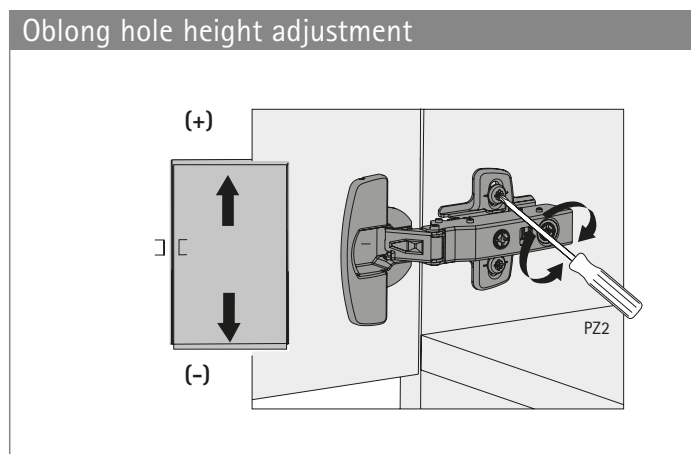
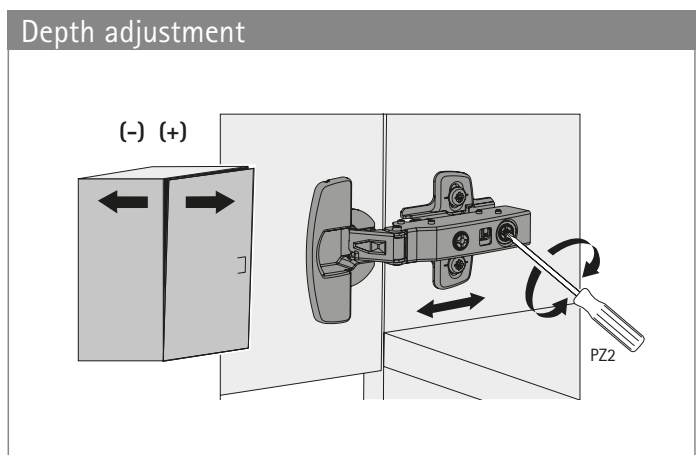
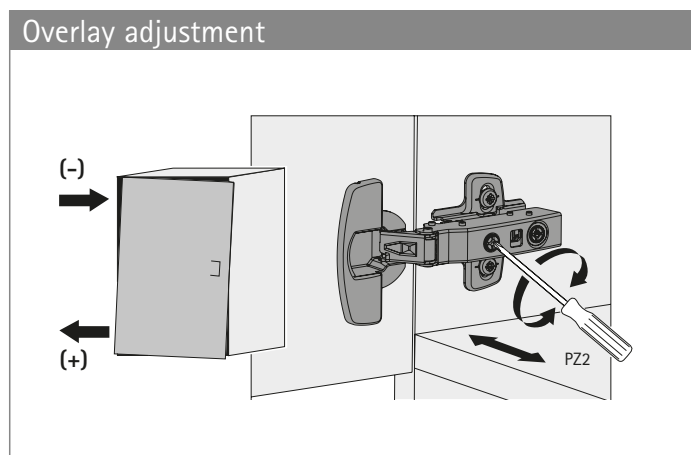
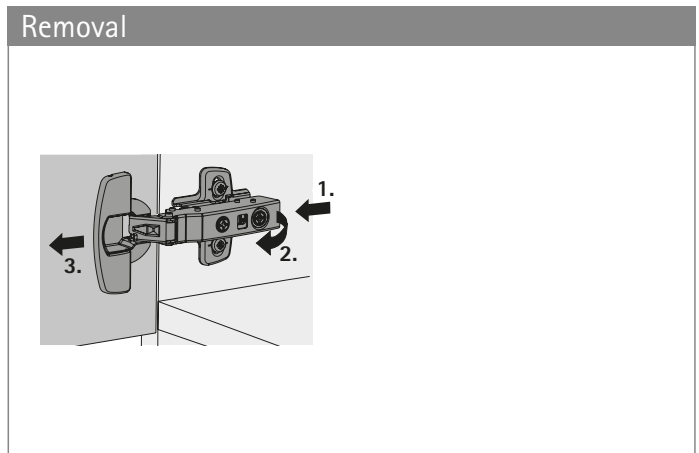
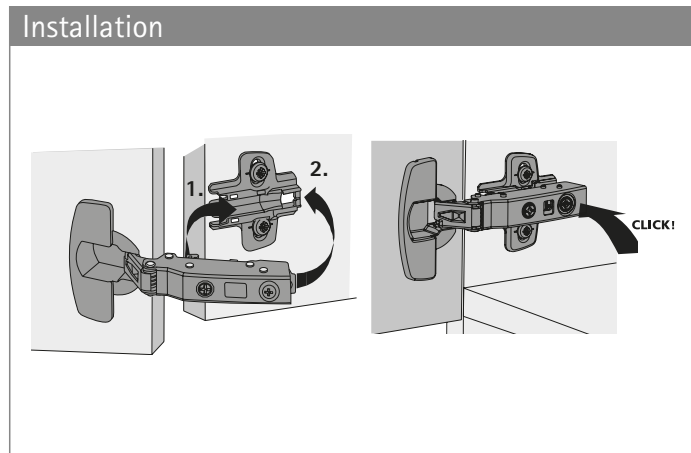


Technical information

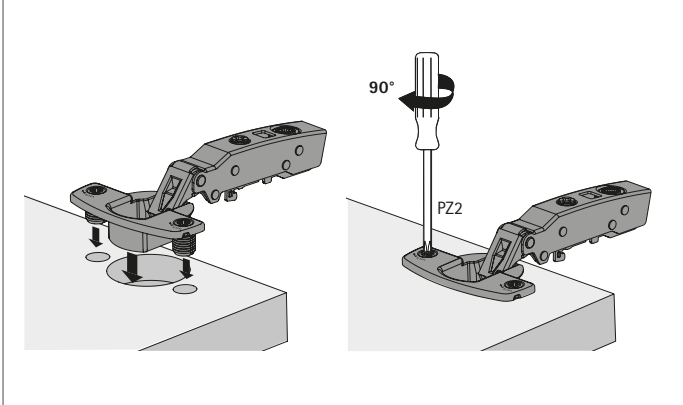
- ▶ Sensys
- ▶ Installation notes



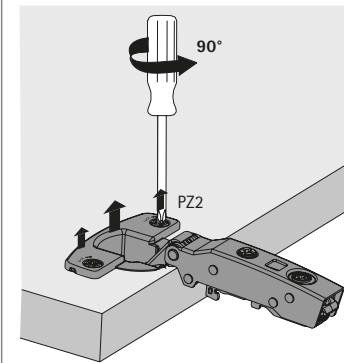
Technical information

- ▶ Sensys
- ▶ Installation notes

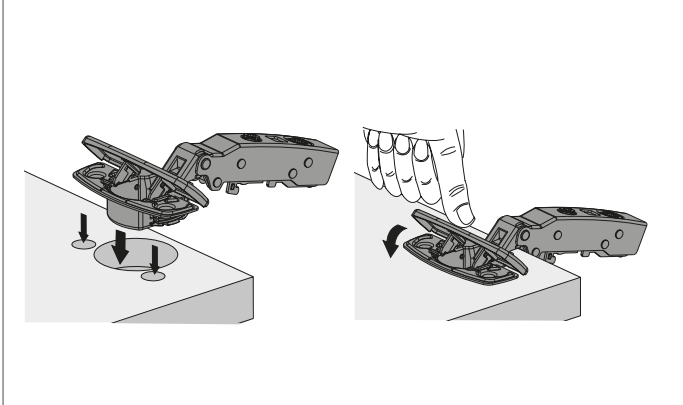
Flash cup installation



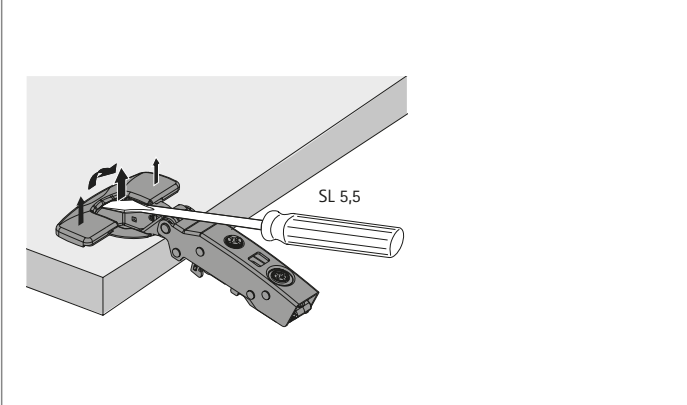
Removing Flash



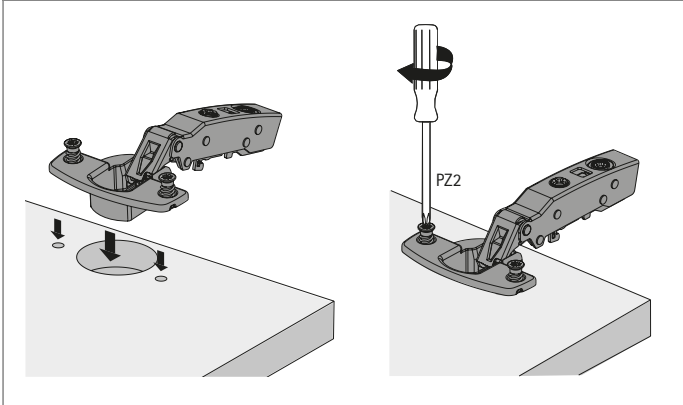
Fix cup installation



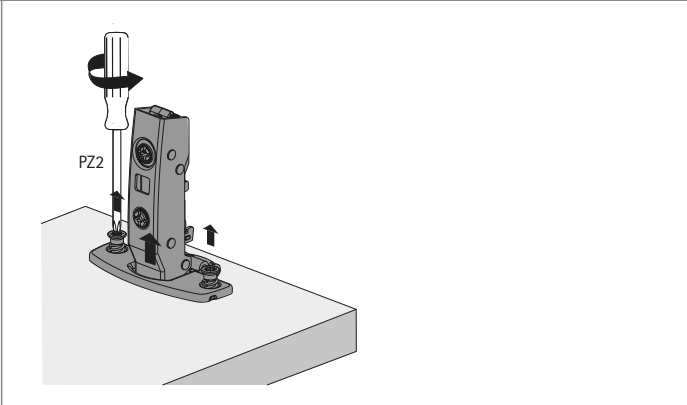
Removing Fix



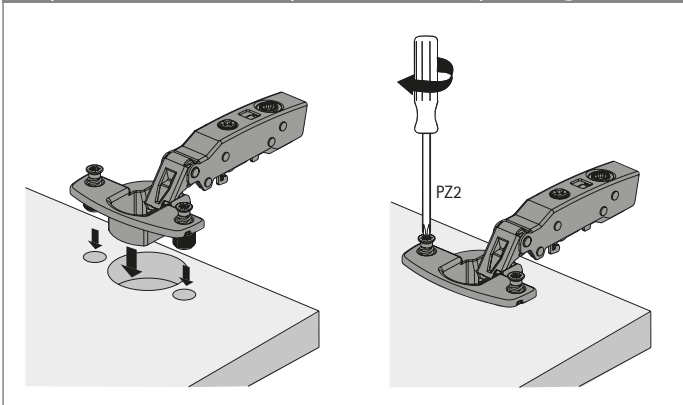
Cup installation with premounted Euro screws



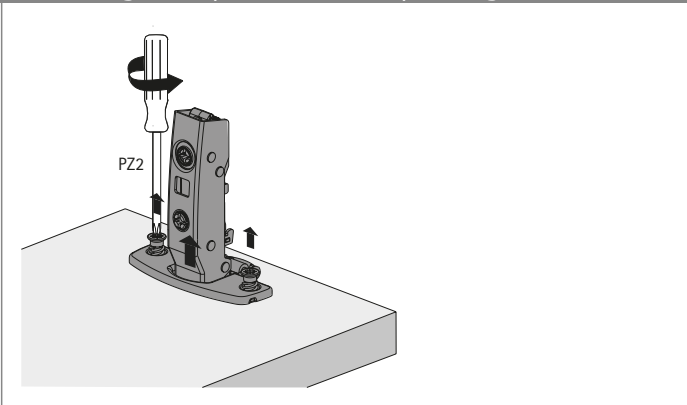
Removing with premounted Euro screws



Cup installation with premounted expanding sockets



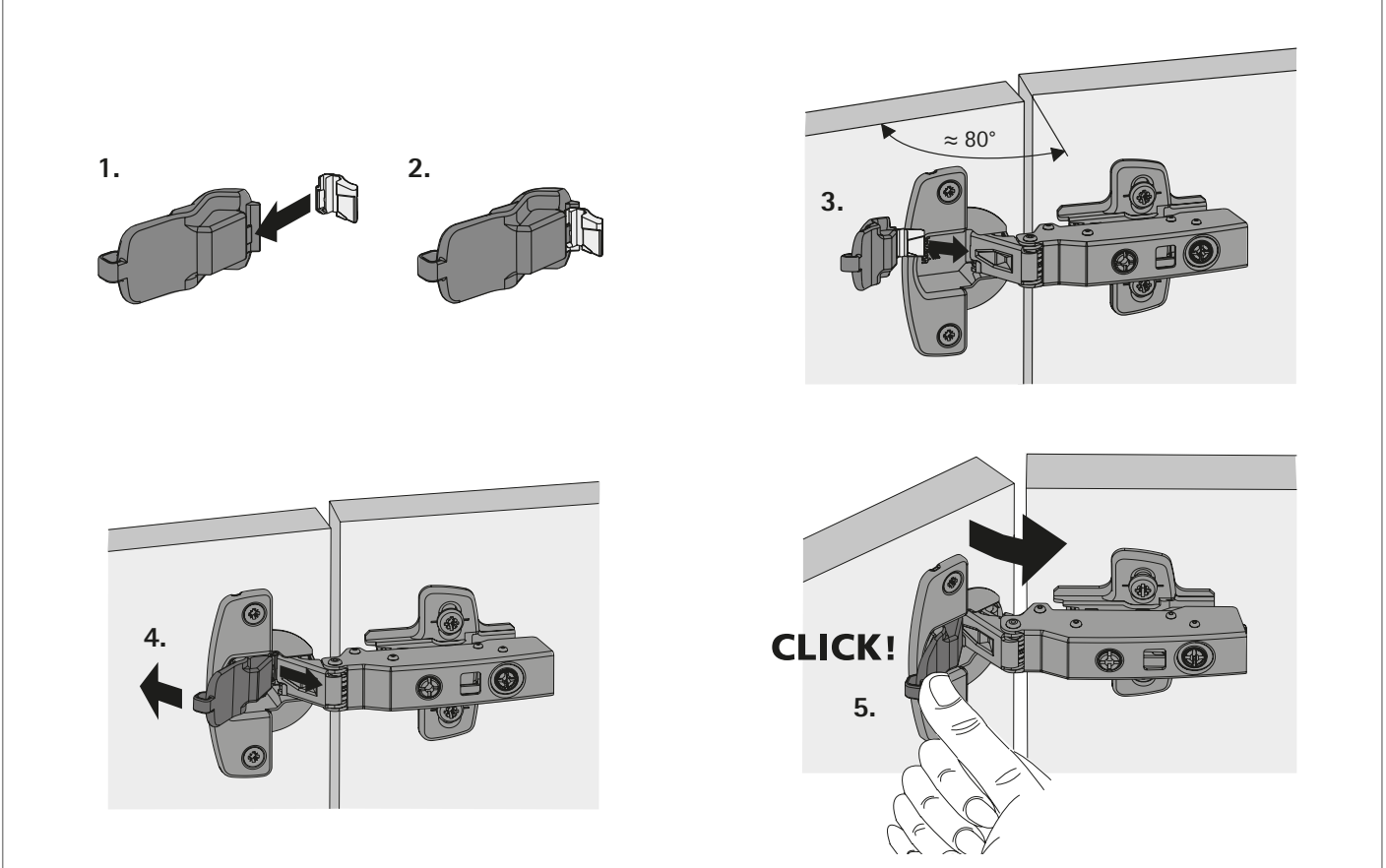
Removing with premounted expanding sockets



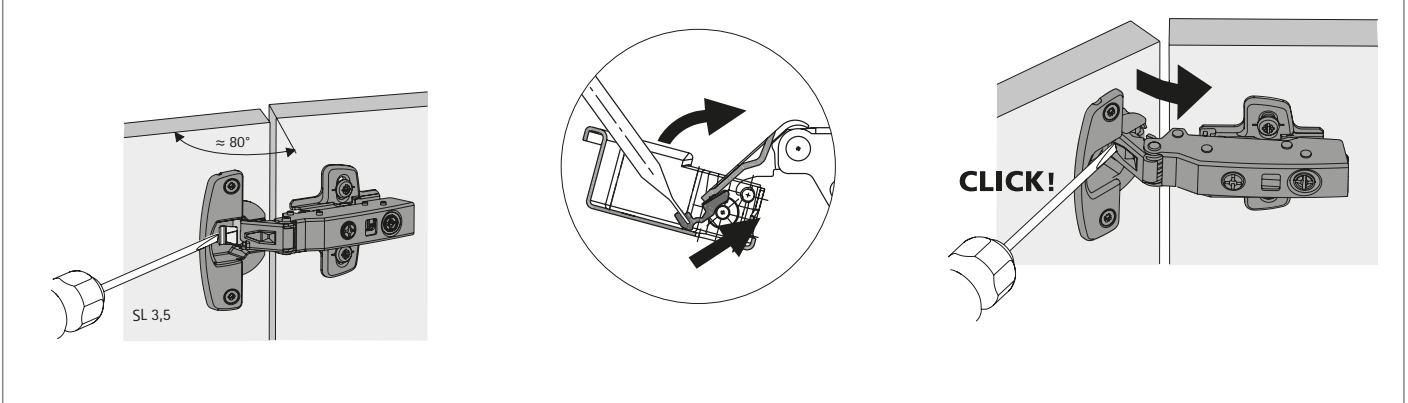
Technical information

- ▶ Sensys
- ▶ Installation notes

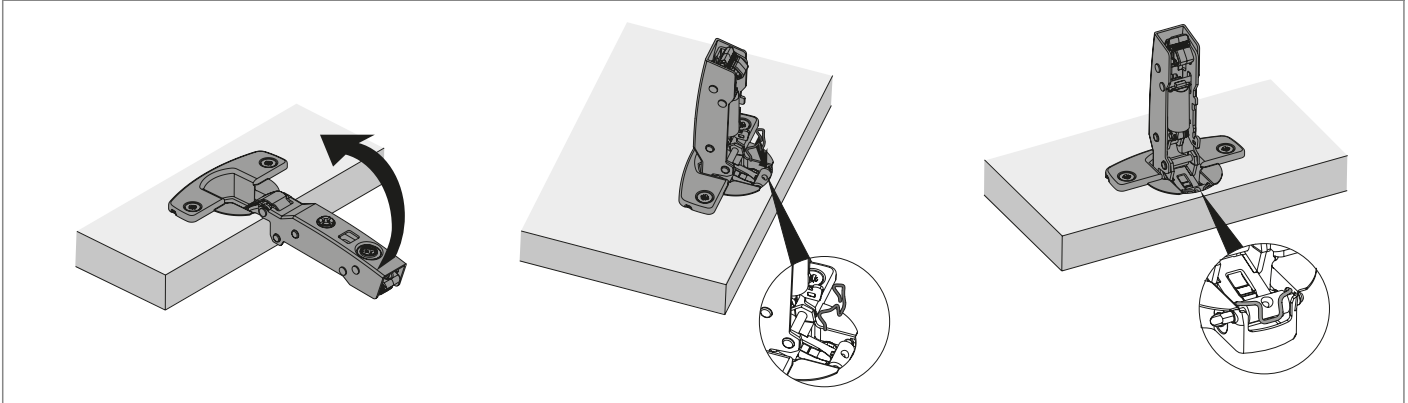
Using the installation aid for installing opening angle limiter for Sensys 8645i, Sensys 8639i W



Using a screwdriver for installing opening angle limiter for Sensys 8645i, Sensys 8639i W



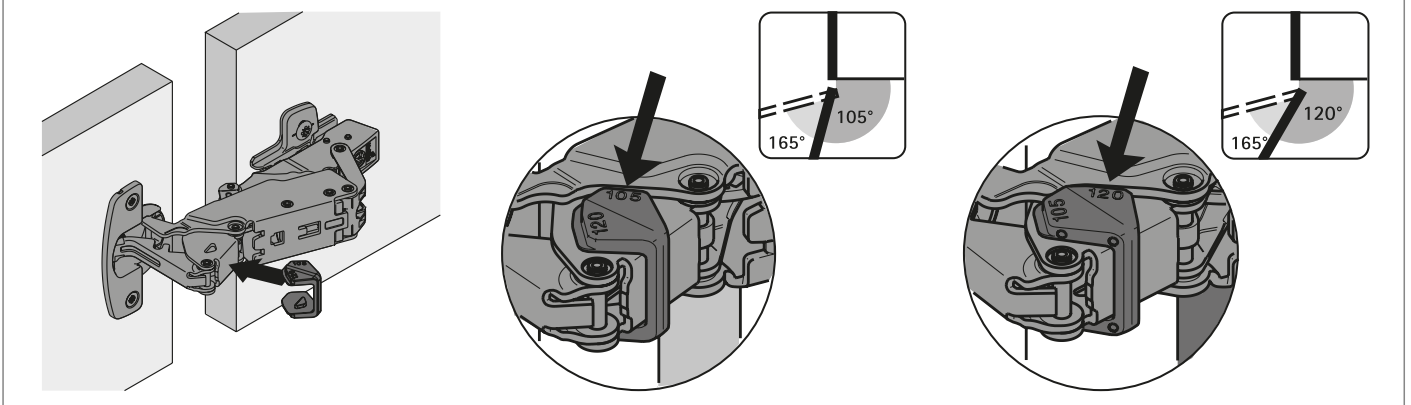
Installing opening angle limiter for thick door hinge 8631i



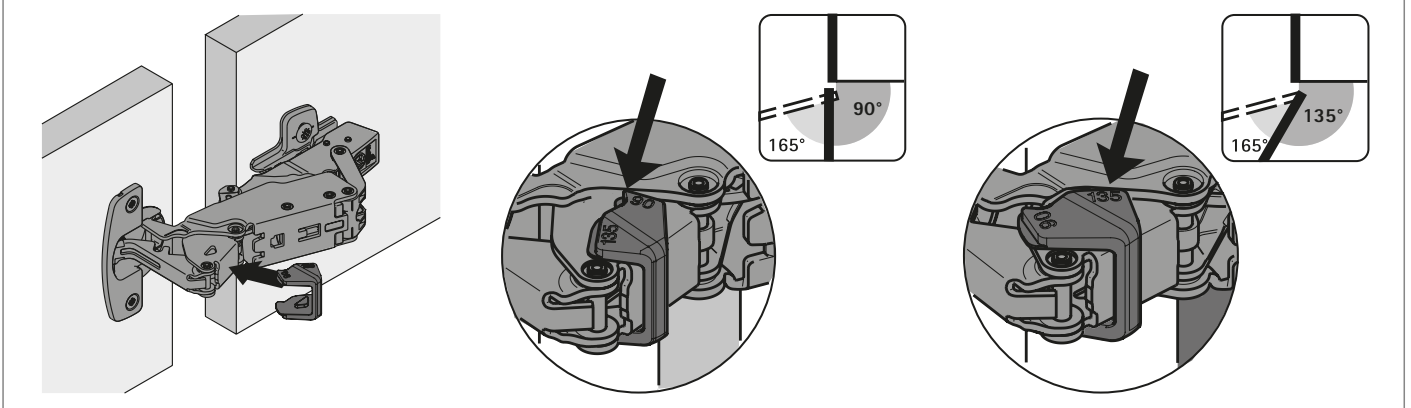
Technical information

- ▶ Sensys
- ▶ Installation notes

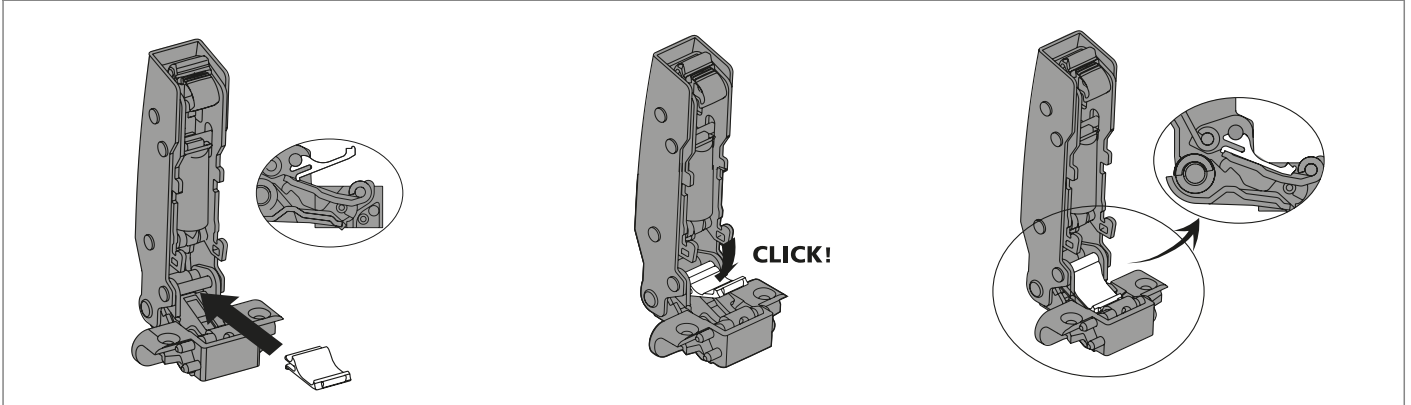
Installing opening angle limiter for 8657i zero protrusion hinge



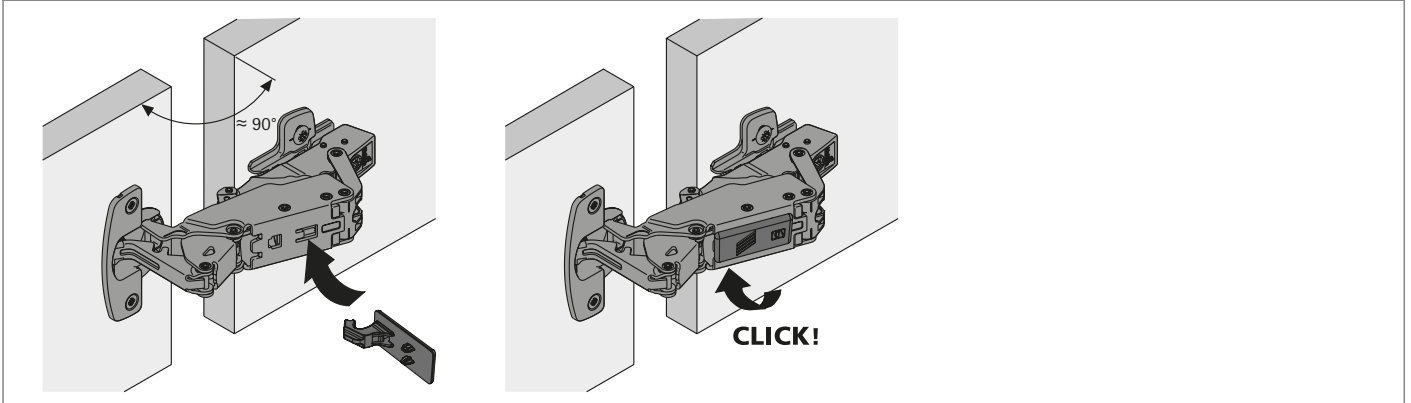
Installing opening angle limiter for 8657i zero protrusion hinge



Installing opening angle limiter for Sensys 8638i aluminium framed doors



Installing soft opening



Technical information

- ▶ Sensys
- ▶ Installation notes

Removing soft opening

